

QE440

Parts Manual

QE440-en-221015





11. Parts Manual

QE440

©Copyright 2012 Sandvik

All rights reserved. No parts of this document may be reproduced or copied in any form or by any means without written permission from Sandvik. All data and information in this manual may be changed without further notice. Reservation for misprints.



Hearthcote Road, Swadlincote, Derbyshire, DE11 9DU, United Kingdom

Tel: +44 (0) 1283 212121, Fax: +44 (0) 1283 217342

www.sandvik.com

11.1 Contents

Contents	-11 - 5
Introduction	-11 - 7
Ordering procedure	-11 - 7
Safety decals	-11 - 7
Main assembly	-11 - 8
Chassis assembly	-11 - 10
Step ladder - right hand	-11 - 16
Step ladder - left hand	-11 - 17
Maintenance platform	-11 - 18
Feeder assembly	-11 - 22
Feeder unit	-11 - 24
Feeder hopper	-11 - 28
Screen box assembly - options	-11 - 30
Screen box	-11 - 32
Shaft - screen box	-11 - 34
Screen box bottom frame	-11 - 36
Mesh adjuster set	-11 - 38
Screen top mesh frame	-11 - 40
Tines top deck - 50mm	-11 - 42
Tines top deck - 75mm	-11 - 44
Tines top deck - 100mm	-11 - 46
Fines collector	-11 - 48
Belt scraper - fines collector	-11 - 50
Fines conveyor	-11 - 52
Roller set 30°	-11 - 58
Roller set 45°	-11 - 59
Mid grade conveyor	-11 - 60
Roller set 40°	-11 - 62
Oversize, tail conveyor assembly	-11 - 64
Upper section - oversize conveyor	-11 - 66
Lower section - oversize conveyor	-11 - 68
Power pack assembly	-11 - 70
Hydraulic tank assembly	-11 - 76
Exhaust system	-11 - 78
Tool box	-11 - 80

Electrical items-	11 - 82
Tracks	11 - 84
Feeder extension - Option	11 - 86
Hopper liners - Option	11 - 88
Fines conveyor cover - Option	11 - 90
Mid size conveyor cover - Option	11 - 92
Fines conveyor dust suppression spray - Option	11 - 94
Mid size conveyor dust suppression spray - Option	11 - 96

11.2 Introduction

11.2.1 Ordering procedure

The following illustrations indicate spare parts available for order, identify relevant part/s and provide the following detail during the ordering process.

This ensures correct delivery of replacement parts with a minimum delay:

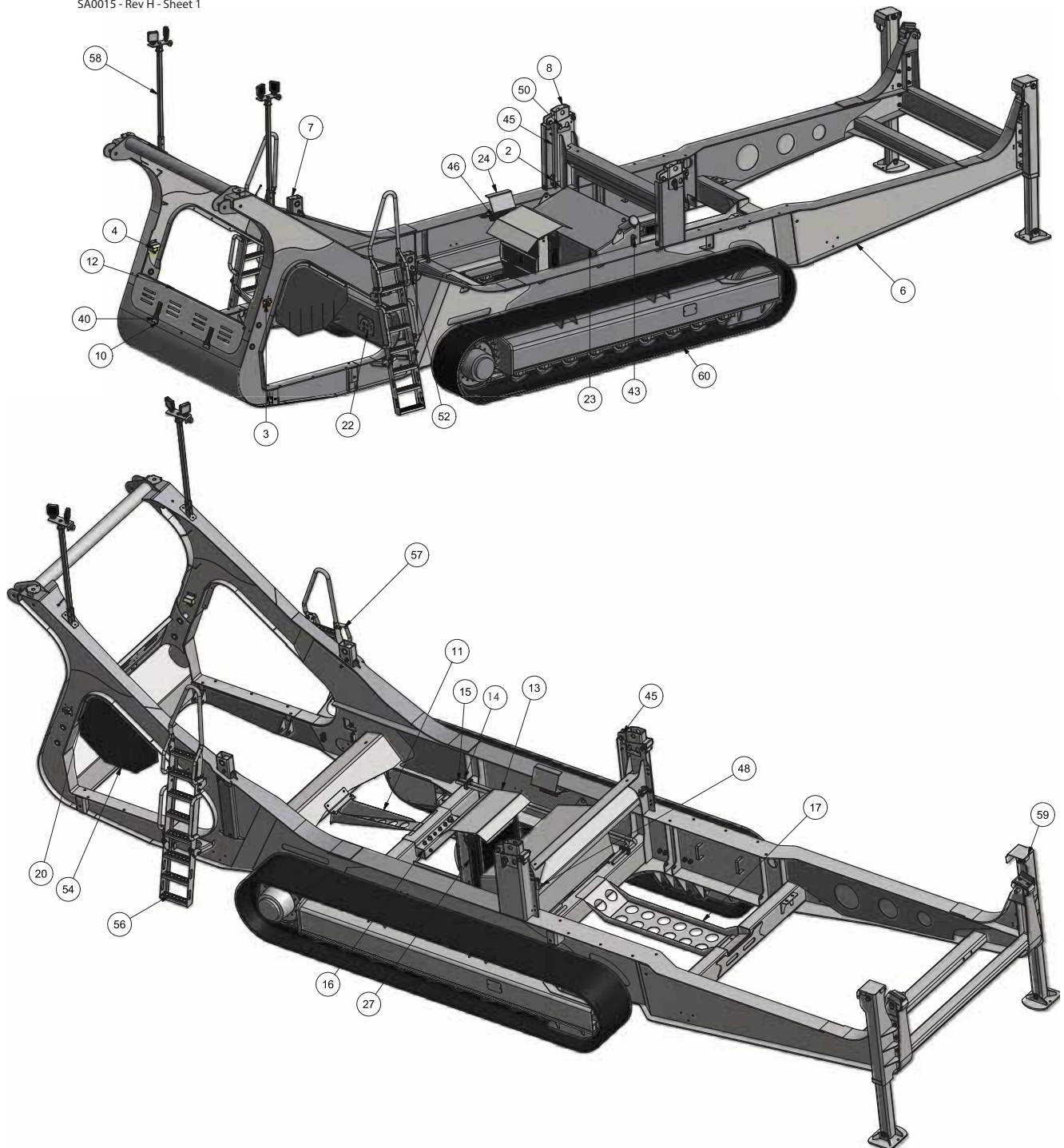
- Machine, model and serial number.
- Year of manufacture.
- Issue reference of parts manual.
- Illustration assembly part number, title and page number.
- Part number identified from the parts list.
- Part description identified from the parts list.
- Quantity required.

11.2.2 Safety decals

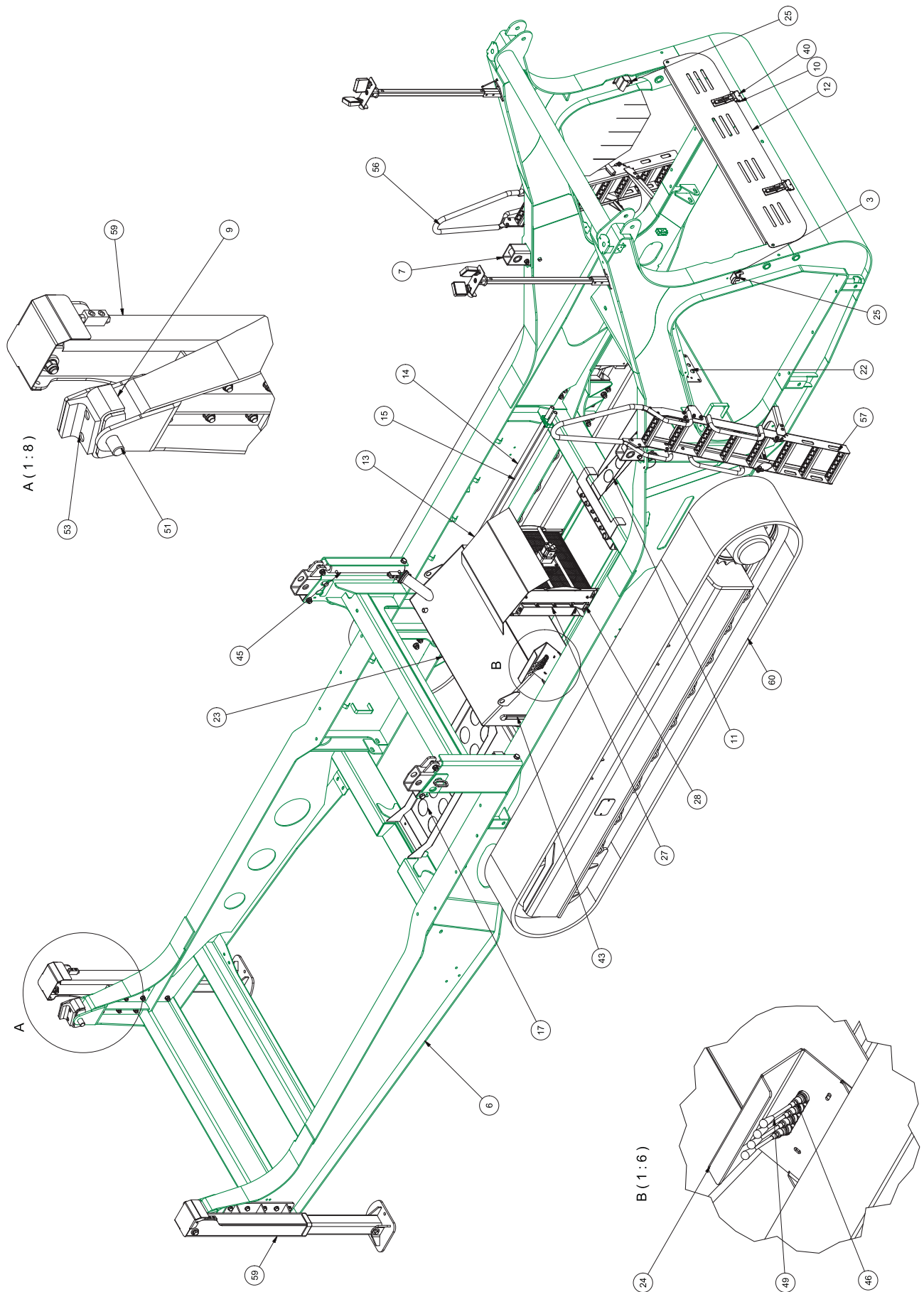
For location and part numbers, refer to Safety section 1.

11.3 Chassis assembly

SA0015 - Rev H - Sheet 1

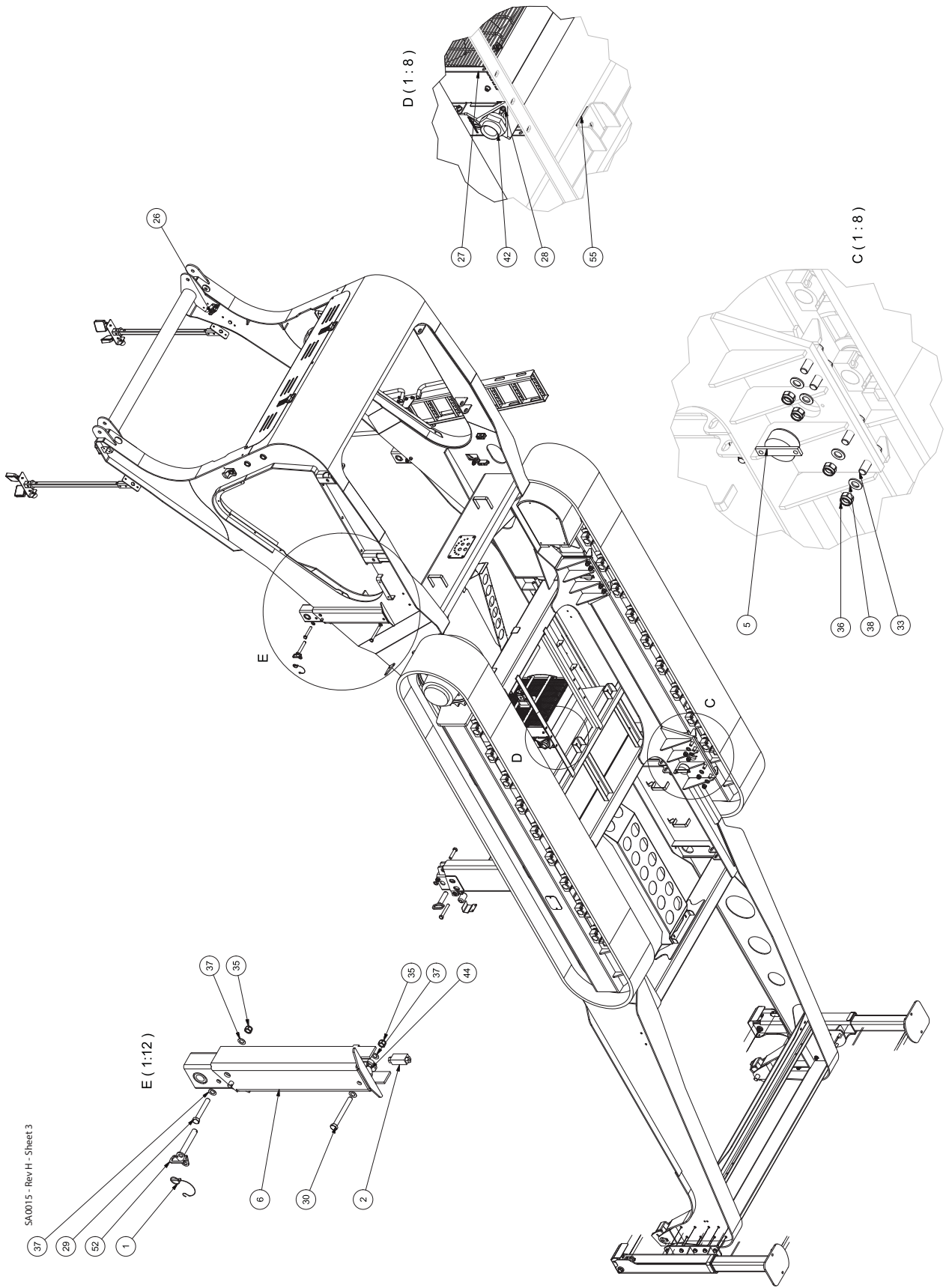


11.4 Chassis assembly



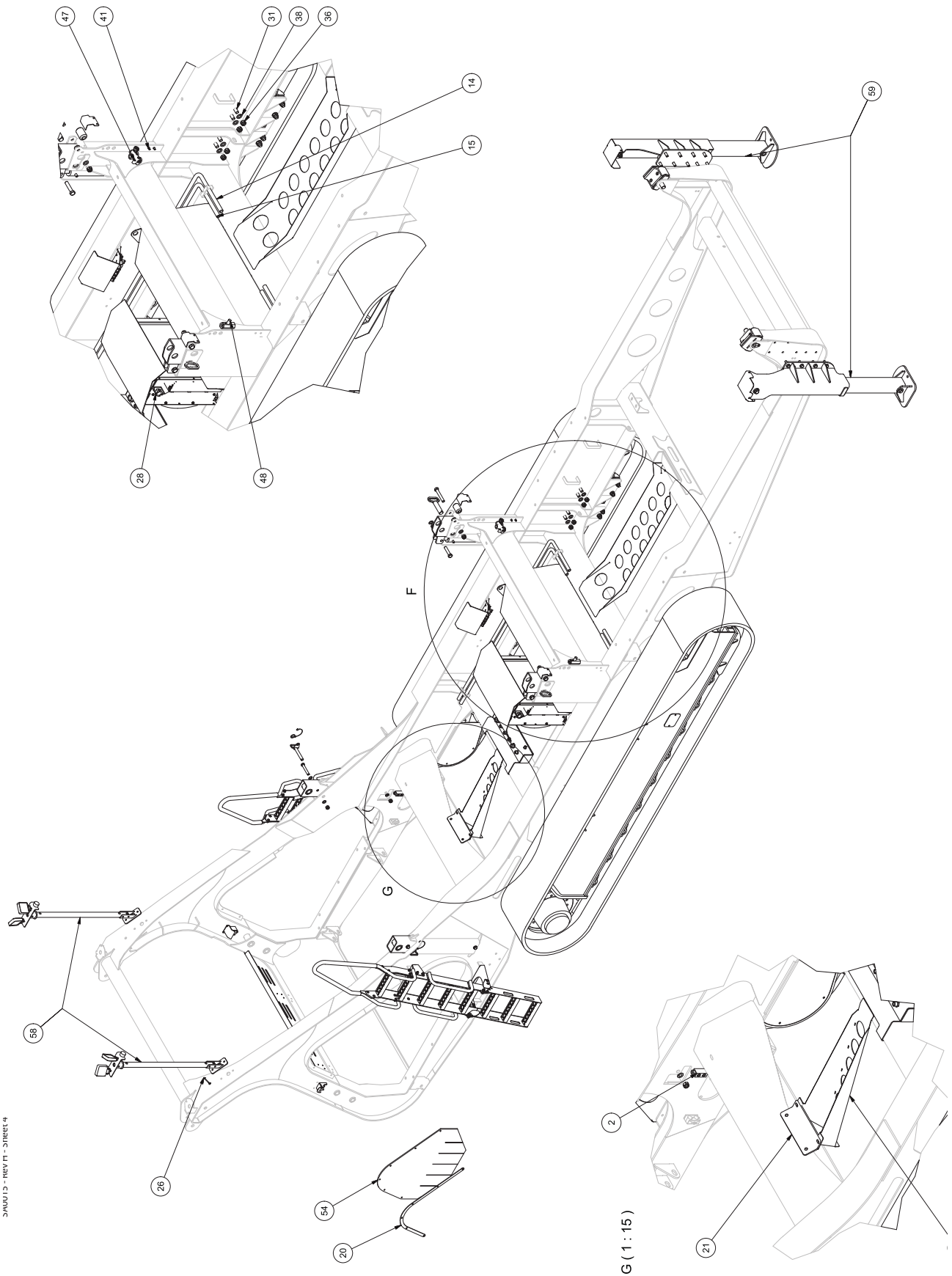
SA0015 - Rev.H - Sheet 2

11.5 Chassis Assembly



SA0015 - Rev H - Sheet 3

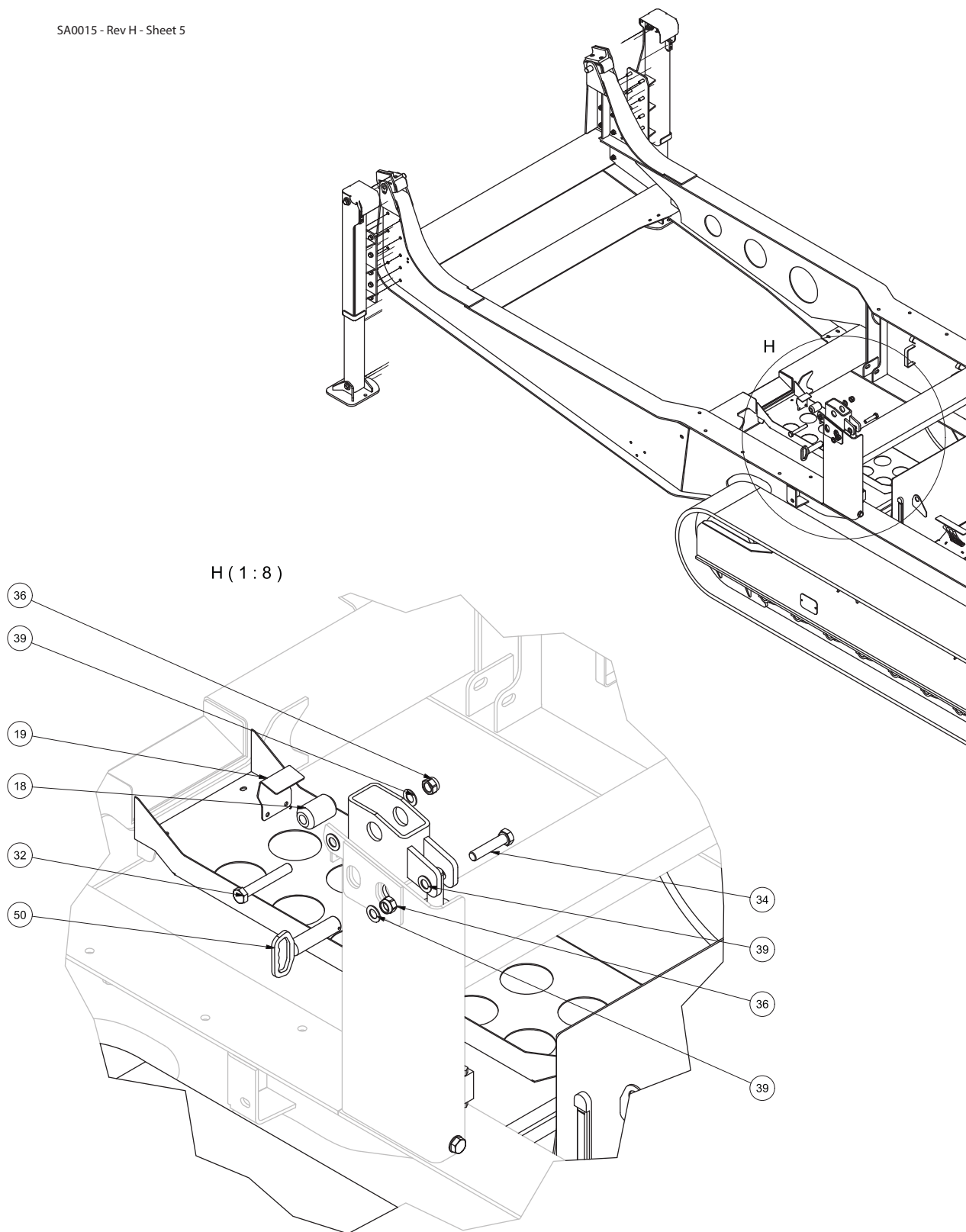
11.1 Chassis Assembly



3/ANNU13 - REV.F11 - STREET 4

11.1 Chassis Assembly

SA0015 - Rev H - Sheet 5

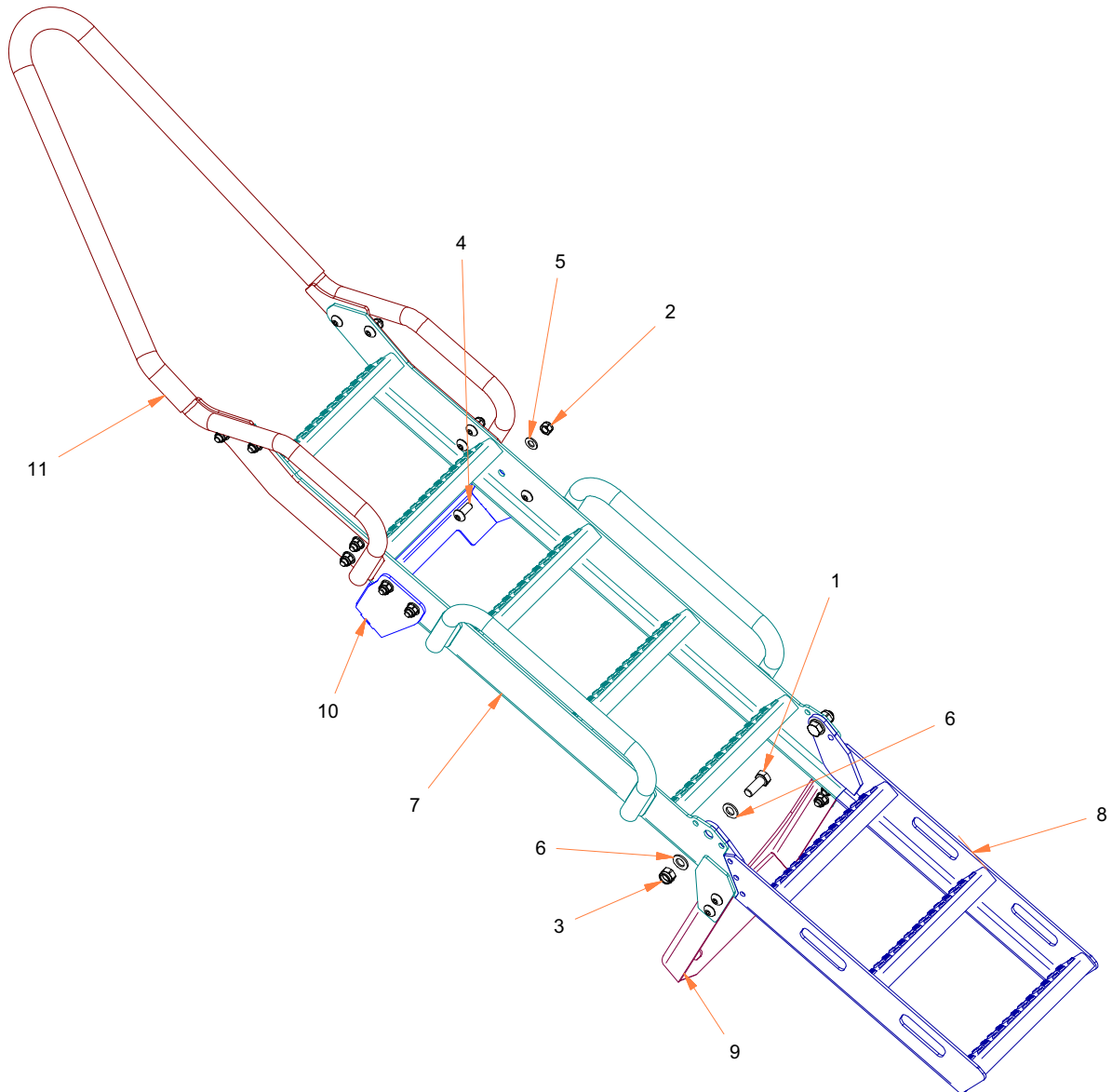


Item	Part Number	Rev	Description	Qty	Remarks
1	12-02-0015		S146 L30x85 Linch Pin And Chain	2	
2	902.0983-00		Check Valve G 1/4 Vbpsl 14/so	6	
3	A10630000	C	C-12, C-10 , Imp Walkway Emergency Stop Bracket Cover	2	
4	A25830000	-	Finger Screen Central Bulkhead Plate	1	
5	A13760000		E7 Emergency Stop Cover Bracket	2	
6	A13930000		Track Location Dowel	4	
7	A20100000	K	Qe440 Chassis Assembly	1	
8	A20110000	A	Qe440 Front Screen Subframe Lift Leg	2	
9	A20120000	A	Qe440 Chassis Lift Leg Inner	2	
10	A20130000		Qe440 Rear Chassis Slider Assy	2	
11	A20310000		Fd2114 3mm Hinge Packer	2	
12	A20320000		Qe440 Chassis Pipe Tray	1	
13	A20380000	A	Qe440 Chassis Cover Panel	1	
14	A20410000	A	Qe440 Oil Cooler Cover	1	
15	A20490000	A	Qe440 Track Pipe R/h Side Pressure	2	
16	A20500000	A	Qe440 Track Pipe R/h Side Return	2	
17	A20540000	C	Chassis Return Manifold	1	
18	A20810000		Qe440 Stabilizing Leg Inner	2280 mm	
19	A20820000	A	Qe440 Stabilizing Leg Foot	2	
20	A20830000	A	Qe440 Stabilizing Leg L/h Cover Plt	1	
21	A20840000	A	Qe440 Stabilizing Leg R/h Cover Plt	1	
22	A20860000	B	Qe440 Front Pipe Tray	1	
23	A20880000		Qe440 Subframe Main Lift Leg Roller	2	
24	A20890000		Qe440 Subframe Main Lift Leg Roller Guard	2	
25	A20910000		Qe440 Chassis To Side Conv Curtain Clamp	1	
26	A20920000		Qe440 Chassis Front Pipe Tray Support	1	
27	A20930000	B	Qe440 Stabilizing Leg L/h Outer	1	
28	A20940000	B	Qe440 Stabilizing Leg R/h Outer Assy	1	
29	B10360000	D	Qe440 Fuel Tank Assembly	1	
30	B7180000	B	Finger Screen 4 Lever Spool Bracket	1	
31	EL2063		Emergency Stop	2	
32	EL9636		Small Radio Reciever	1	
33	EX5015		Asa0367 Ah11 Oil Cooler Equivalent To Ex3003	1	
34	EX5015_ADAPT OR		Ex5015 Cooler Adaptor	2	
35	FAB20X130		M20 X 130 Hex-head Bolt	2	
36	HAU2000001		2" M/m Bsp Adaptor Unplated	1	
37	FAB20X180		M20 X 180 Hex-head Bolt	2	
38	FAB24X100(10.9)		Hex-head Bolt	16	
39	FAB24X160		M24x160 Hex-head Bolt	4	
40	FAB24X200(10.9)		M24x200 10.9 Grade Hex Head Bolt	2	
41	FAB24X90		Hex-head Bolt	16	

Item	Part Number	Rev	Description	Qty	Remarks
42	FAB24x110		Fab24x110 Hexagon Head Bolt	2	
43	FAN20N		M20 Nylock Nut	4	
44	FAN24N		M24 Nyloc Nut	40	
45	FAW20A		Bright Washer	8	
46	FAW24(10.9)		M24 Hardened Washer 10.9	64	
47	FAW24A		M24 Washer	20	
48	FAW30A		Bright Washer	2	
49	FD2114		Door Hinge	2	
50			Qe440 R/h Step Ladder Assembly	1	See SA001501 - REV 0
51	HG1003		Lva30sa Level Gauge	2	
52			Qe440 L/h Step Ladder Assembly	1	See SA001502 - REV 0
53	HR2540	A	Qe440 Screen Front Lift Ram	2	
54	HR2542		Qe440 Rear Screen Lift Ram	2	
55	HR2544		Qe440 Rear Stabilizing Ram	2	
56	HV1020		4 Lever Spool Valve All Double Acting	1	
57	HV2003		95 Lt/min Flow Diverter	1	
58	HV2006		Webtec Fcv 55 K J Flow Control Valve	1	
59	HV8558		Spool Valve Handle - 150 Long	4	
60	PN1027	A	T.t. Screenbox Prim. Subframe Stop Pin	2	
61	PN1155	B	E7 Feeder Roller Pin	2	
62	PN1217	B	Qe440 Screen Subframe Front Lift Lock Out Pin	2	
63	PN1224		Qe440 Stabilizing Leg Foot Pin	2	
64	PY1037	A	E7 Rear Chassis Slider Detail	2	
65	RU1329		Qe440 Chassis To Side Conv Rubber Curtain	1	
66			Tracks Complete 3.7 Centres , 500mm Shoes With O & K F55 Gearbox	1	See TRACK COMPONENTS
67	HAG001801		1/8" Bulkhead C/w Grease Nipple	2	

11.6 Step ladder - right hand

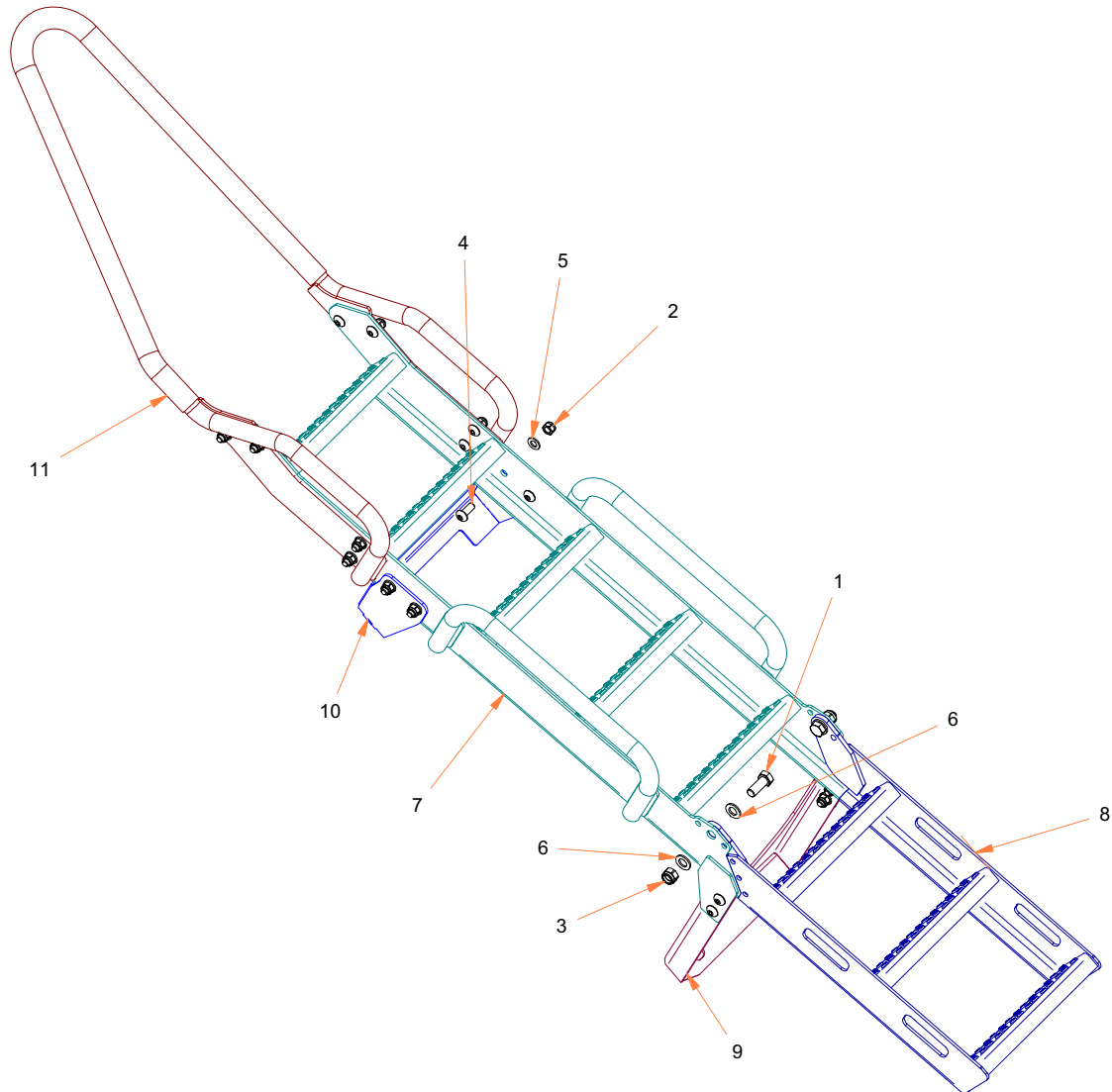
SA001501 - REV 0



Item	Part No.	Description	Qty	Remarks
1	FAB16X40	M16 X 40 Hex-bolt	2	
2	FAN12N	M12 Nylock Nut	16	
3	FAN16N	M16 Nylock Nut	2	
4	FASKT12X30BH	M12 X 30 Button Head, Hex	16	
5	FAW12A	M12 Bright Washer	16	
6	FAW16A	M16 (Form A) Washer	4	
7	G11230000	Qe440 Catwalk Access Step Ladder Upper	1	
8	G11240000	Qe440 Catwalk Access Step Ladder Lower	1	
9	G11250000	Qe440 Catwalk Access Step Btm Support	1	
10	G11260000	Qe440 Catwalk Access Step Hanging Bracket	1	
11	G11270000	Qe440 Catwalk Access Step Ladder Upper Hand Rail R/h	1	

11.7 Step ladder - left hand

SA001502 - REV 0

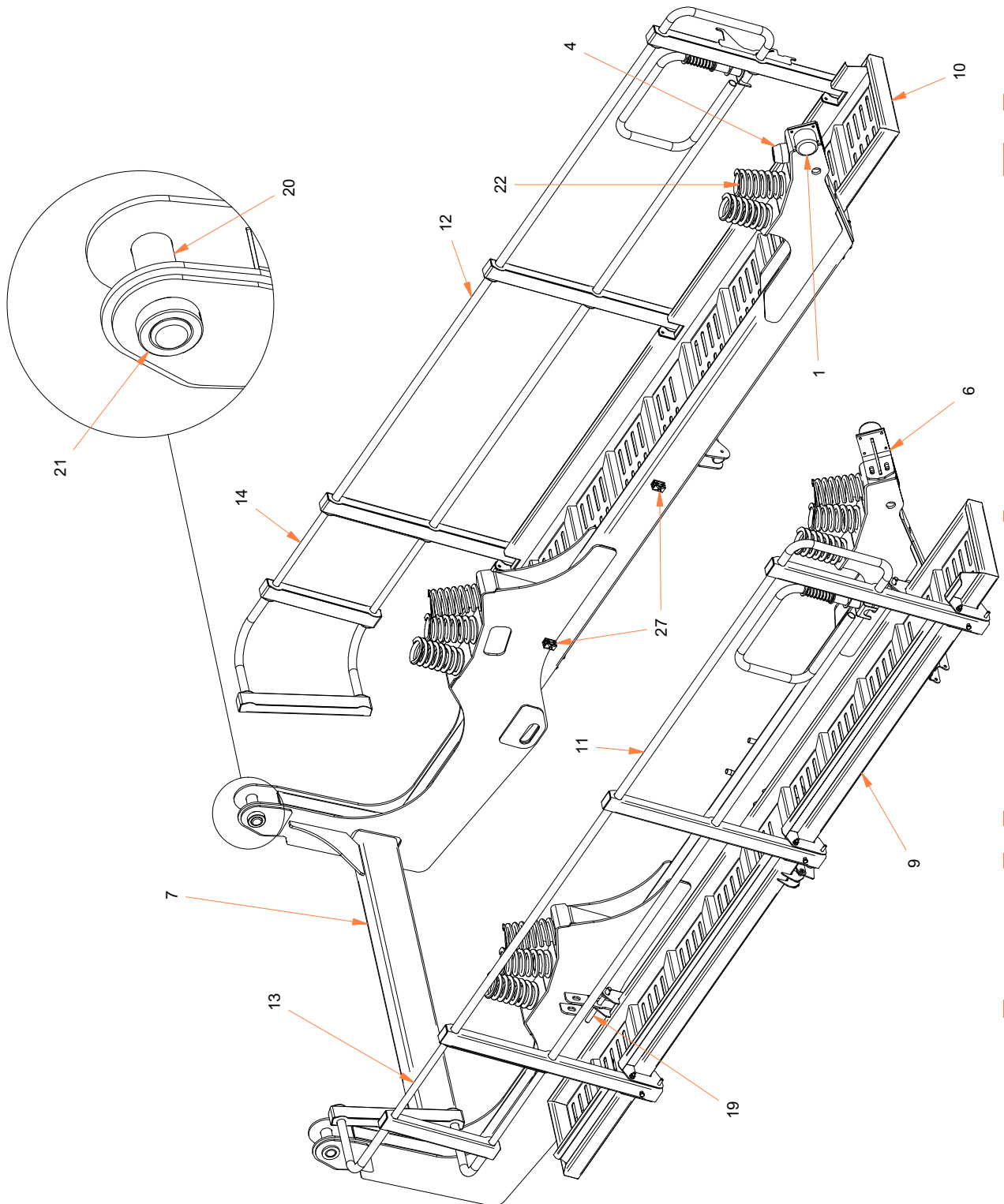


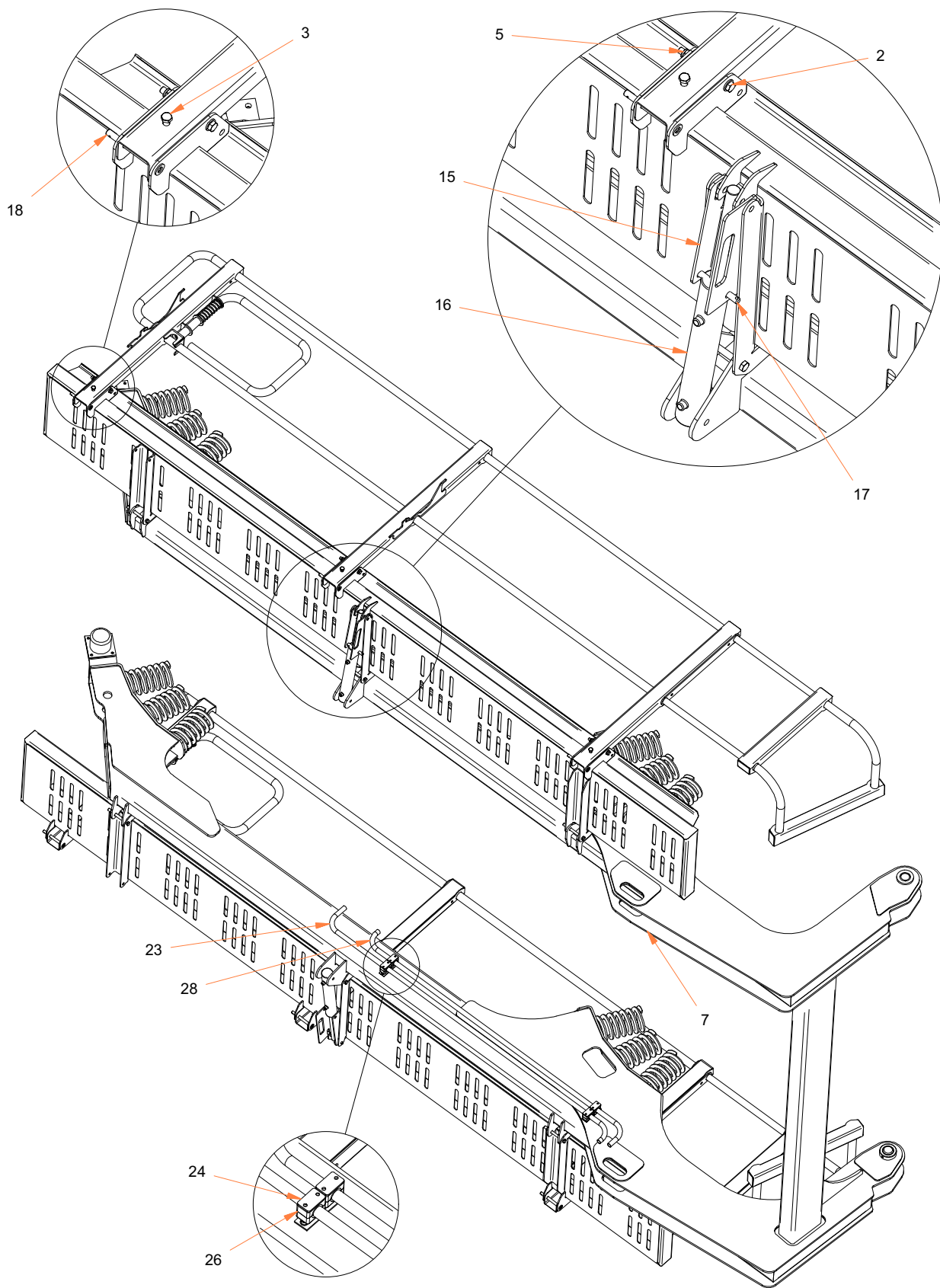
Item	Part No.	Description	Qty	Remarks
1	FAB16X40	M16 X 40 Hex-bolt	2	
2	FAN12N	M12 Nylock Nut	16	
3	FAN16N	M16 Nylock Nut	2	
4	FASKT12X30BH	M12 X 30 Button Head, Hex	16	
5	FAW12A	M12 Bright Washer	16	
6	FAW16A	M16 (Form A) Washer	4	
7	G11230000	Qe440 Catwalk Access Step Ladder Upper	1	
8	G11240000	Qe440 Catwalk Access Step Ladder Lower	1	
9	G11250000	Qe440 Catwalk Access Step Btm Support	1	
10	G11260000	Qe440 Catwalk Access Step Hanging Bracket	1	
11	G11280000	Qe440 Catwalk Access Step Ladder Upper Hand Rail L/h	1	



11.8 Maintenance platform

SG0041 - REV D

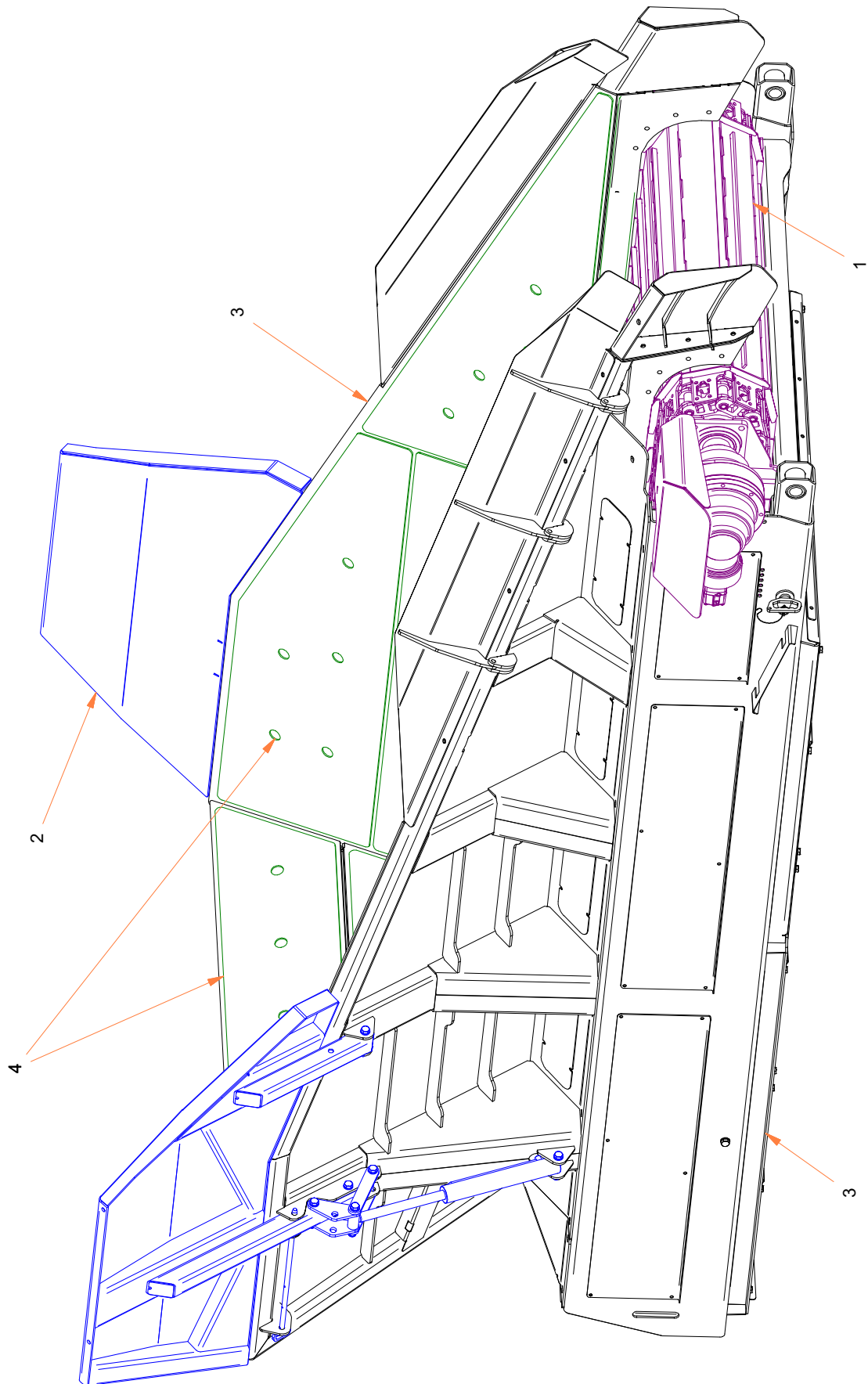




Item	Part No	Rev	Description	Qty	Remarks
1	BT9981		Pb130 Plate Buffer	2	
2	FAB12X120		M12x120 Bolt	12	
3	FAS12X80		Fas12x80 Setscrew	6	
4	G10600000		Qe440 Spring Location Bush	12	
5	FAN12N		M12 Nylock Nut	6	
6	G10660000		Qe440 Screenbox Buffer Mounting Brackets	2	
7	G10680000	E	Qe440 Screenbox Subframe	1	
8	FAW12A		M12 Bright Washer	12	
9	G10690000	B	Qe440 Screen Box R/h Catwalk Base	1	
10	G10700000	B	Qe440 Screen Box L/h Catwalk Base	1	
11	G10710000	B	Qe440 Screen Box R/h Catwalk Hand Rail	1	
12	G10720000	C	Qe440 Screen Box L/h Catwalk Hand Rail	1	
13	G10730000	B	Qe440 Screen Box R/h Catwalk Removable Hand Rail	1	
14	G10740000	B	Qe440 Screen Box L/h Catwalk Removable Hand Rail	1	
15	G5360000	C	Ds Fulltrac Ram Stop Bracket	2	
16	HR1001		Walkway Ram	2	
17	PN1011	B	Side Conveyor Tele-leg Adjuster Rod Pin	2	
18	PN1065	A	S-series Hand Rail Pin	6	
19	PN1114	C	Full Track Walkway Lock Out Pin	4	
20	PN1215	A	Qe440 Feeder To Screen Suframe Pin	2	
21	PN1216		50mm Pin Lock Out Collar	2	
22	SC5011		Screen Spring Dia18mm X Dia126mm X 249mm X 170 N/mm Rate	12	
23	G7100000	A	E7 Screen Subframe Steel Pipe	1	
24	HAC22000_3		22mm Pipe Clamp Top	4	
25	FAN12		M12 Hex Nut	6	
26	HAC22000_2		22mm Pipe Clamp Body	8	
27	HAC300042		15mm Twin Pipe Clamp Top Assembly	2	
28	G12300000	-	Qe440 Screen Subframe Steel Pipe	1	



11.9 Feeder assembly

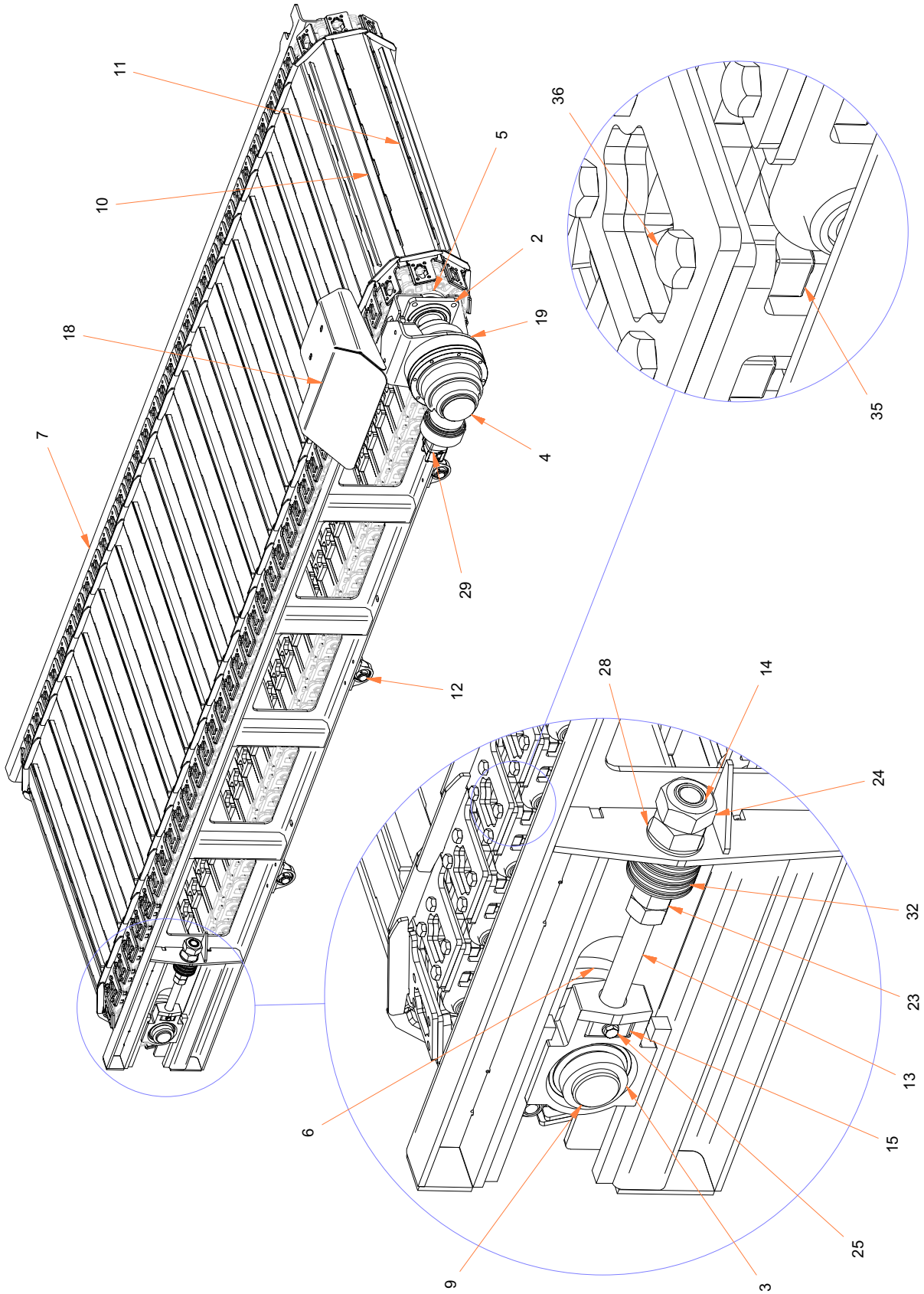


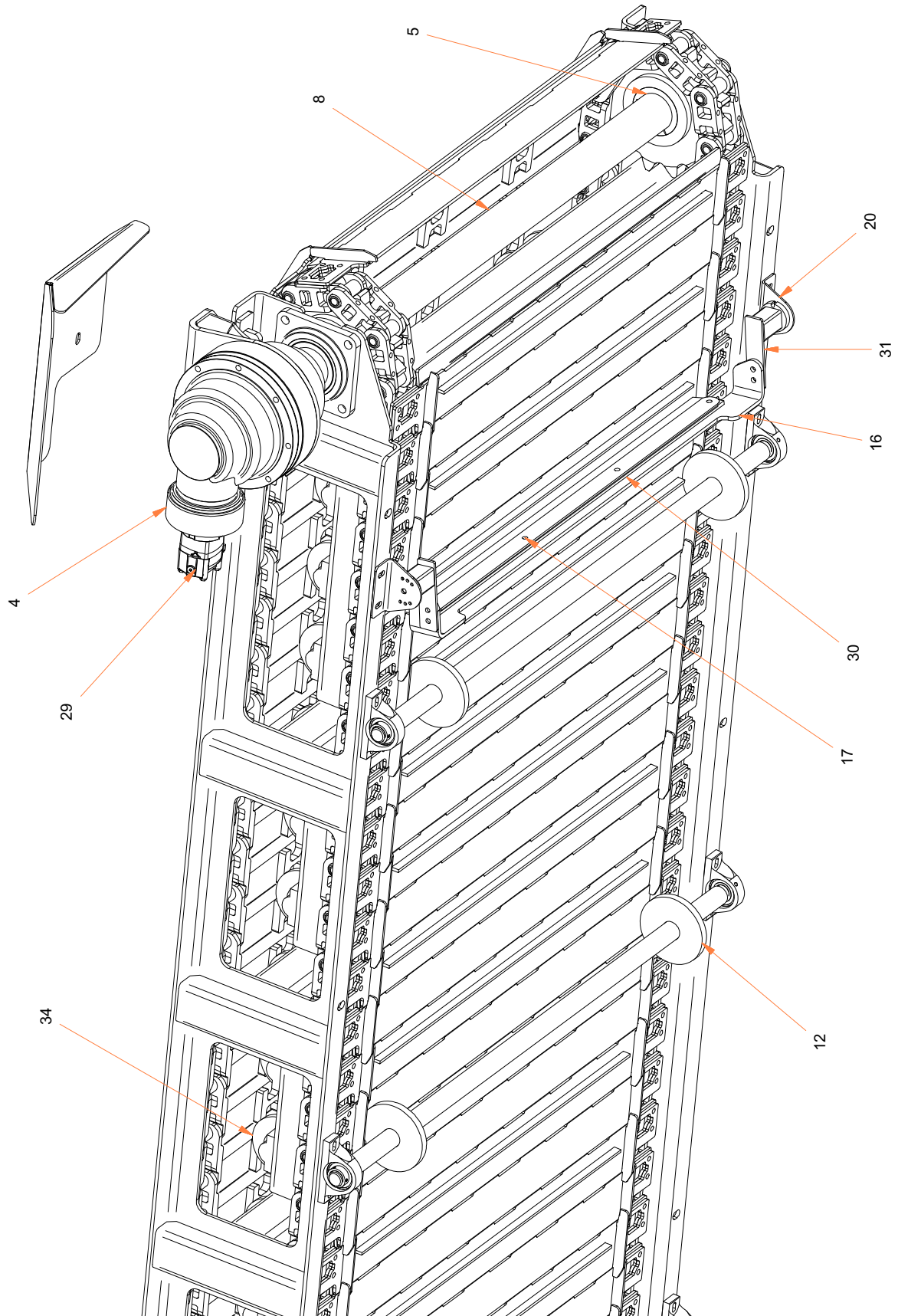
SC0037 - REV D

Item	Part No	Rev	Description	Qty	Remarks
1		C	Qe440 Apron Cassette	1	See SC0035 - REV C
2		B	Qe440 Feeder Wing Extension Option	1	See SC003701 - REV B
3		C	Qe440 Feeder Bin Assy	1	See SC0038 - REV C
4			Qe440 Feeder Bin Weld On Liner Option	1	See SC003702 - REV 0

11.10 Feeder unit

SC0035 - REV C



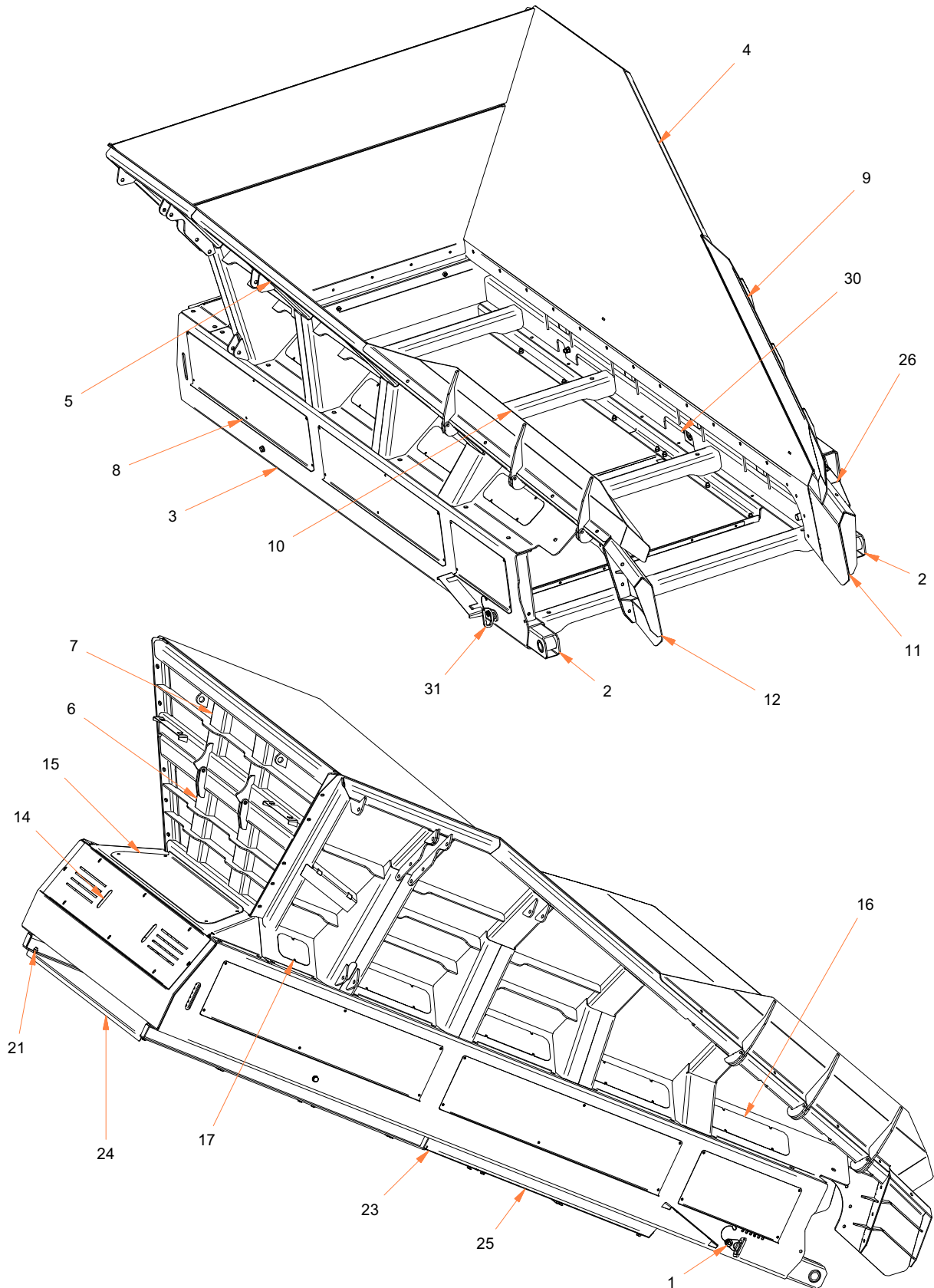


Item	Part No.	Rev	Description	Qty	Remarks
1	BT1008		Bearing 40mm Plummer Block	6	
2	BT2005		Flange Bearing Rcjy90	2	
3	BT2502		Take-up Bearing Rtue70	2	
4	BT9978		Fp90 Right Angled Gearbox With Omt Motor Adaptor	1	
5	C10000000		Finger Screen Feeder Drive Sprocket Assembly	2	
6	C10010000		Finger Screen Feeder Idle Wheel	2	
7	C15400000	B	Qe440 Apron Feeder Cassette	1	
8	C15410000		Qe440 Apron Feeder Drive Shaft	1	
9	C15420000		Qe440 Apron Feeder Idle Shaft	1	
10	C15430000	C	Qe440 Apron Feeder Pad With Upright	36	
11	C15440000	B	Qe440 Apron Feeder Pad Without Upright	36	
12	C15450000	A	Qe440 Apron Feeder Return Roller	3	
13	C15460000	A	Qe440 Feeder Tensioning Bar	2	
14	C15470000		Qe440 Feeder Tensioning Bush	2	
15	C15480000		Feeder Tensioning Block	2	
16	C15490000		Qe440 Feeder Scraper Cross Member	1	
17	C15500000		Qe440 Feeder Scraper Clamp Plt	1	
18	C15520000		Qe440 Feeder Gearbox Guard	1	
19	C15530000		Qe440 Feeder Torque Arm	1	
20	D4080000	B	Rosta Se 27 Scraper Mtg Bracket	2	
21	FAKS28X16X100		Key (28x16x100mm)	2	
22	FAN12N		M12 Nylock Nut	2	
23	FAN36		M36 Hex Nut	4	
24	FAN48		M48 Hex Nut	4	
25	FAS12X70		Hex-head Bolt	2	
26	FAW12A		M12 Bright Washer	4	
27	FAW36		Bright Washer	2	
28	FAW48A		M48 Washer	2	
29	HM8811		Omts 315cc Motor	1	
30	PY1055		Qe440 Feeder Poly Scraper	1	
31	RU5501		Rosta Support Se27	2	
32	SC1006		Compression Disk	28	
33	UC7007		Ft1352/72 72 Link Chain	2	
34	UC7185		Vva380 Roller	47	
35	UC7206		Shoe Nut	576	
36	UC7210		Shoebolt-vft694-47	576	



11.11 Feeder hopper

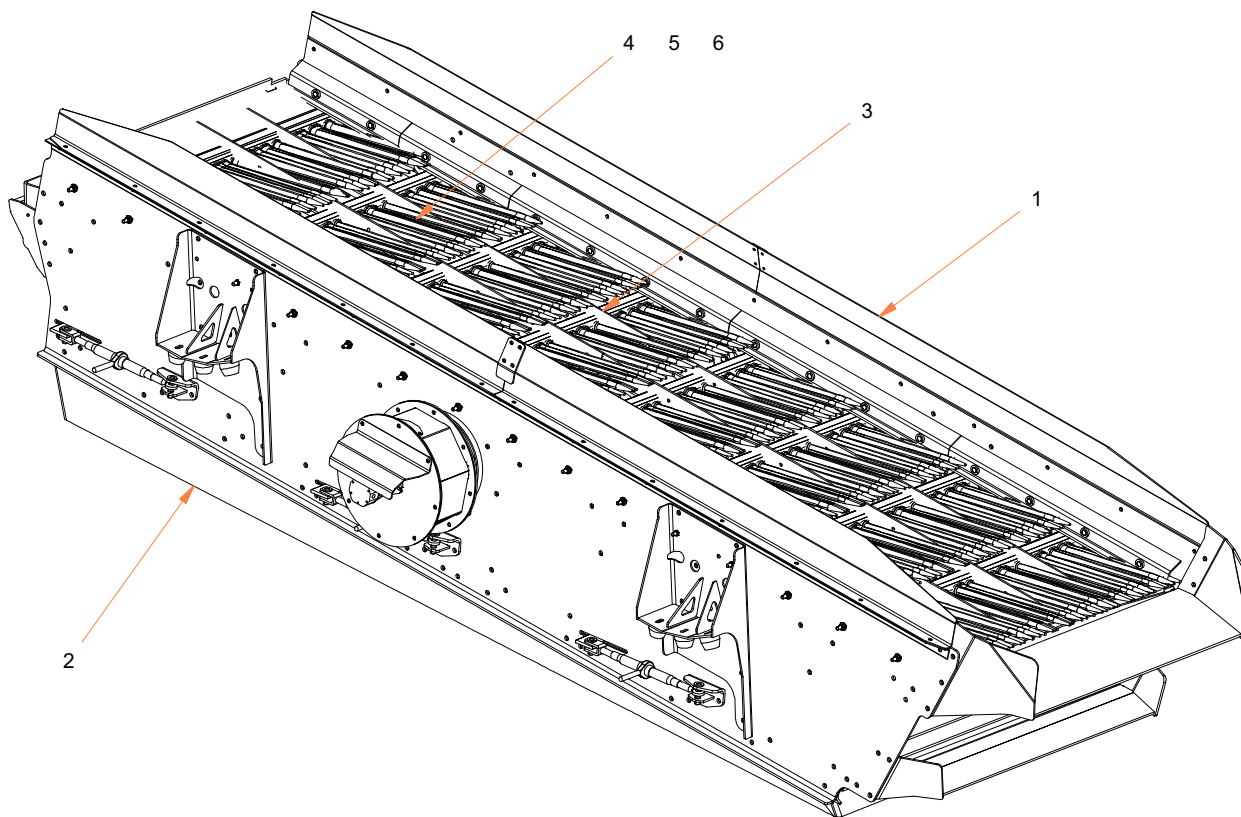
SC0038 - REV C



Item	Part No.	Rev	Description	Qty	Remarks
1	12-02-0015		S146 L30x85 Linch Pin And Chain	2	
2	C10130000	B	Finger Screen Feeder Subframe Tele Leg	2	
3	C15180000	E	Qe440 Apron Feeder Subframe	1	
4	C15190000	E	Qe440 Apron Feeder Bin L/h Side	1	
5	C15200000	E	Qe440 Apron Feeder Bin R/h Side	1	
6	C15210000	C	Qe440 Apron Feeder Bin Rear Lower	1	
7	C15220000	C	Qe440 Apron Feeder Bin Rear Upper	1	
8	C15230000		Qe440 Apron Feeder Subframe Side Cover	4	
9	C15240000	A	Qe440 Apron Feeder Bin Discharge Extension L/h	1	
10	C15250000	A	Qe440 Apron Feeder Bin Discharge Extension R/h	1	
11	C15260000	B	Qe440 Apron Feeder Bin Bolt On Nose L/h	1	
12	C15270000	B	Qe440 Apron Feeder Bin Bolt On Nose R/h	1	
13	C15280000		Qe440 Feeder Rear Top Panel	1	
14	C15290000		Qe440 Feeder Subframe Rear Panel	1	
15	C15300000	A	Qe440 Feeder Subframe Rear Panel Cover	1	
16	C15310000	A	Qe440 Feeder Bin Side Access Cover Large	8	
17	C15320000	A	Qe440 Feeder Bin Side Access Cover Small	2	
19	C15340000		Qe440 Feeder Subframe Non-drive Side Front Panel	2	
20	C15350000	A	Qe440 Feeder Subframe L/h Retainer	1	
21	C15360000	A	Qe440 Feeder Subframe R/h Retainer	1	
22	C15570000		Qe440 Feeder Rear Rubber Clamp	1	
23	C15580000	A	Qe440 Feeder Upper Belly Plt	1	
24	C15590000	A	Qe440 Feeder Lower Belly Plt	1	
25	C15630000	A	Qe440 Feeder Subframe Belly Plt Upper	1	
26	C15710000	A	Qe440 Feeder Chain Guard Non-drive Side	1	
27	FAS16X40		M16 X 40 Set Screw	18	
28	FAW16A		M16 (Form A) Washer	18	
29	G10610000		Qe440 Screen Box Rubber Clamp	1	
30	HR2541		Qe440 Feeder Slide Ram	2	
31	PN1230		Qe440 Feeder Subframe Slide Lock Pin	2	
32	RU1297		Qe440 Feeder Rear Rubber Seal	1	

11.12 Screen box assembly - options

SG0039 - REV B

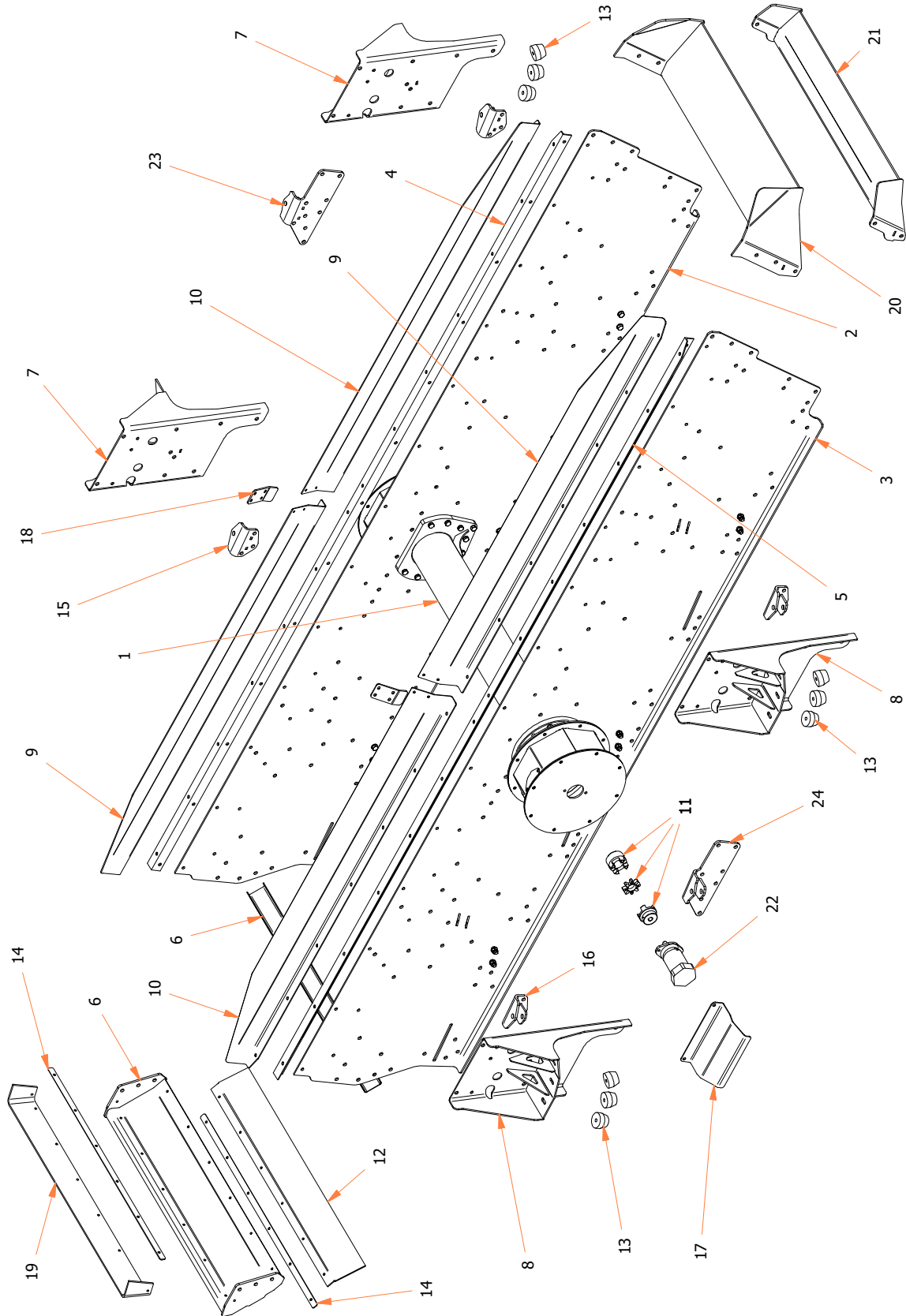


Item	Part No	Rev	Description	Qty	Remarks
1		C	Screen box	1	See SG0038 - REV C
2		C	Lower Mesh Frame	1	See SG003901 - REV C
3		0	Top Deck Mesh Frame	1	See SG003902 - REV 0
4		0	Top Deck Tines 50mm	1	See SG003903 - REV 0
5		0	Top Deck Tines 75mm	1	See SG003904 - REV 0
6		0	Top Deck Tines 100mm	1	See SG003905 - REV 0



11.13 Screen box

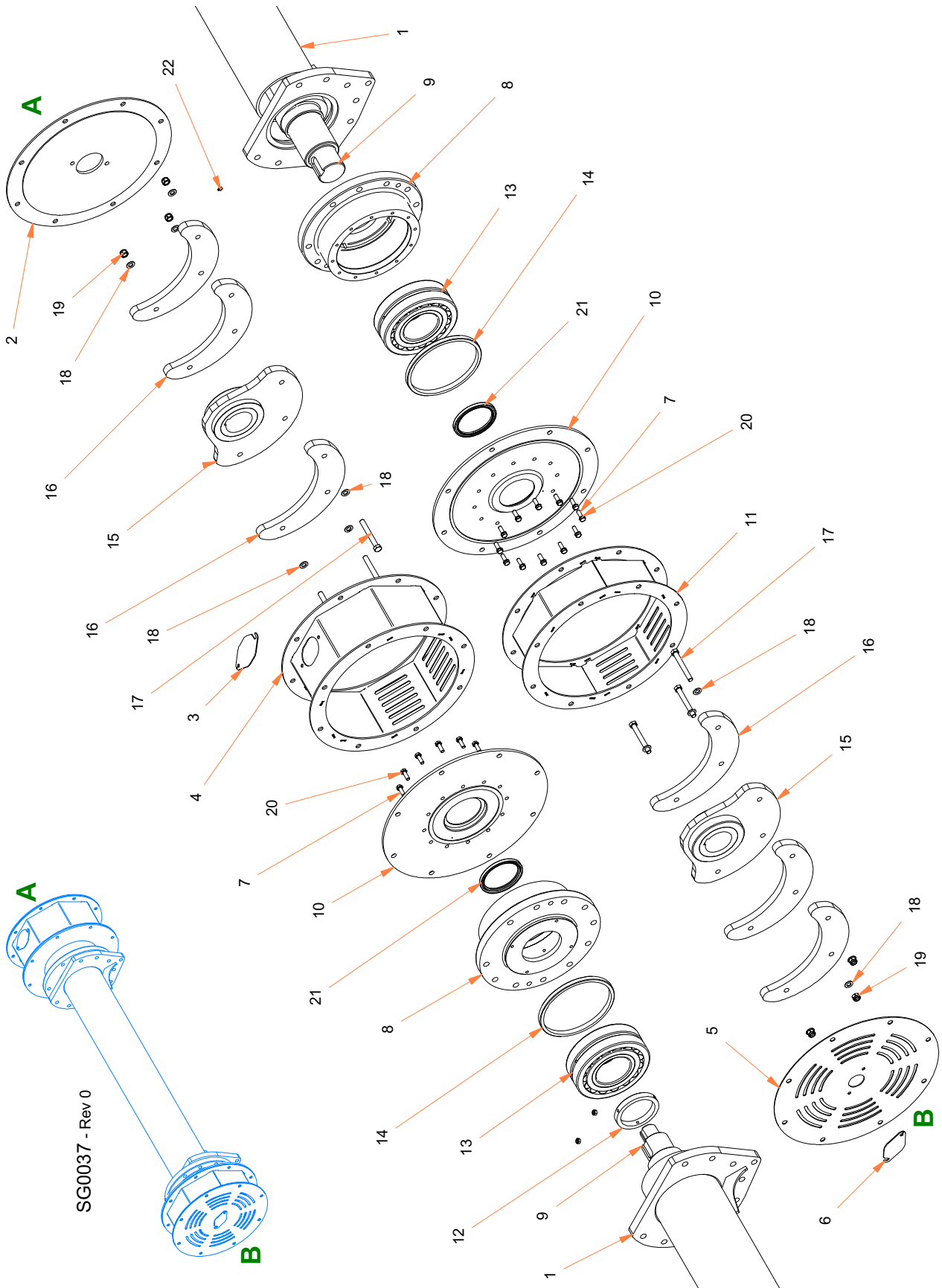
SG0038 - REV C



Item	Part No	Rev	Description	Qty	Remarks
1			18x6 Screen Shaft Assembly	1	See See SG0037 - REV 0
2	G10420000	B	Qe440 Screen Side L/h Plate	1	
3	G10430000	B	Qe440 Screen Side R/h Plate	1	
4	G10580000	A	Qe440 Screen Top L/h Side Angle	1	
5	G10590000	A	Qe440 Screen Top R/h Side Angle	1	
6	G10450000	B	Qe440 Screen Rear Spill Plate	1	
7	G10470000		Qe440 Screen L/h Spring Mounting	2	
8	G10480000	A	18x6 Screen R/h Spring Mounting	2	
9	G10490000	A	Qe440 Screen Front L/h Greedy Board	2	
10	G10500000	A	Qe440 Screen Front R/h Greedy Board	2	
11	BT10052		Rotex 48 Drive Coupling Dia 25.35 / Dia 60	1	
12	RU1289		Qe440 Rear Spill Plate Hanging Rubber	1	
13	G10600000		Qe440 Spring Location Bush	12	
14	G10610000		Qe440 Screen Box Rubber Clamp	2	
15	G10750000		Qe440 Screen Box L/h Ratchet Base Bracket	2	
16	G10760000		Qe440 Screen Box R/h Ratchet Base Bracket	2	
17	G10670000	A	Qe440 Screen Box Motor Guard	1	
18	G10850000		Qe440 Screen Box Top Flair Overlap Plt	2	
19	RU1318		Qe440 Screenbox Rear Spill Chute Rubber Seal	1	
20	G10860000	A	Qe440 P2 Top Nose Cone Assy	1	
21	G10870000		Qe440 P2 Screen Btm Nose Assembly	1	
22	10.25.0825		Eaton 82.6cc Piston Motor (Keyed Shaft)	1	
23	G12140000		Qe440 Screen Box Middle L/h Ratchet Base Bracket	1	
24	G12150000		Qe440 Screen Box Middle L/h Ratchet Base Bracket	1	

11.14 Shaft - screen box

SG0037 - REV 0

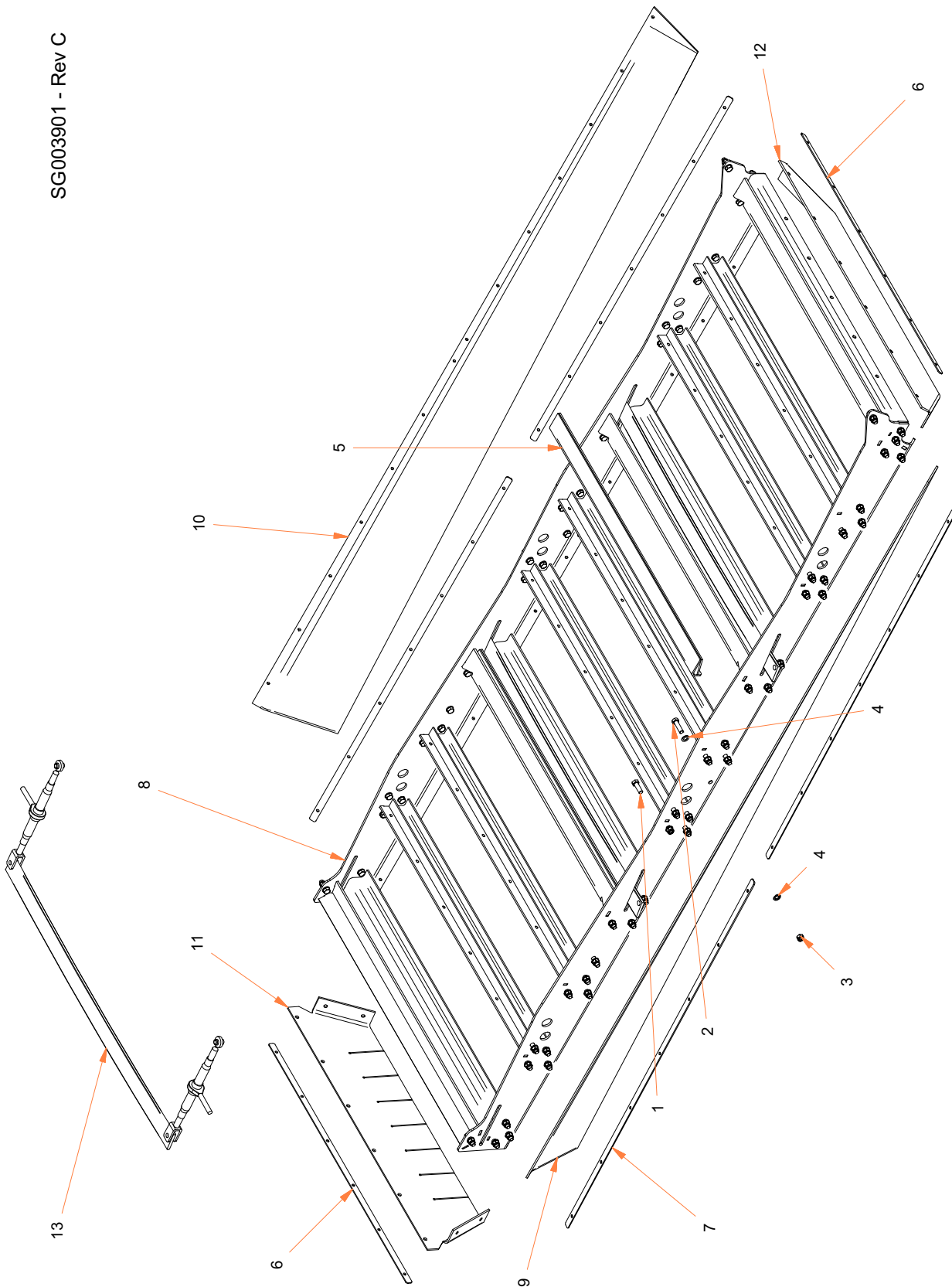


Item	Part No	Rev	Description	Qty	Remarks
1	G10340000	A	Qe440 Screen Center Pipe Assy	1	
2	G6930000		Motor Mtg Plate	1	
3	G6980000		16x5 Screenbox Guard Inspection Plt	1	
4	G6940000	A	16x5 Screenbox Drive Housing	1	
5	G6960000	A	16x5 Screenbox Fly Wheel Guard	1	
6	G4870000		Bolted Screenbox Non-drive Side Dust Plate	1	
7	FAB12X35(10.9)		M12 X 35 Hex Head 10.9 Grade	24	
8	G10370000		22326 Bearing Housing	2	
9	G10350000		18x6 Screen Box Eccentric Shaft	1	
10	G10380000		Qe440 Bearing Housing End Cap	2	
11	G10390000		Qe440 Screen Box Fly Wheel Guard	1	
12	G10400000		Qe440 Screenbox Shaft Locking Collar	1	
13	BT9976		Spherical Screen Bearing 130x280x93 (22326 Ccja/va405)	2	
14	G10410000		Qe440 Bearing Spacer	2	
15	G10360000		Qe440 Counter Weight	2	
16	G6920000		Bolt On Counter Weight	6	
17	FAB16X130(10.9)		M16x130 Ht Hex-head Bolt	6	
18	FAW16(10.9)		M16 Hardened Washer	12	
19	FAN16N(10.9)		M16 Nylock Nut 10.9 Grade	6	
20	FAW12NL		M12 Nordlock Washer Set	24	
21	BT9939		Shaft Seal Cr 130x160x12 Hmsa10	2	
22	BT5501		1/8" Bsp Grease Nipple	2	

11.15 Screen box bottom frame

SG003901 - REV C

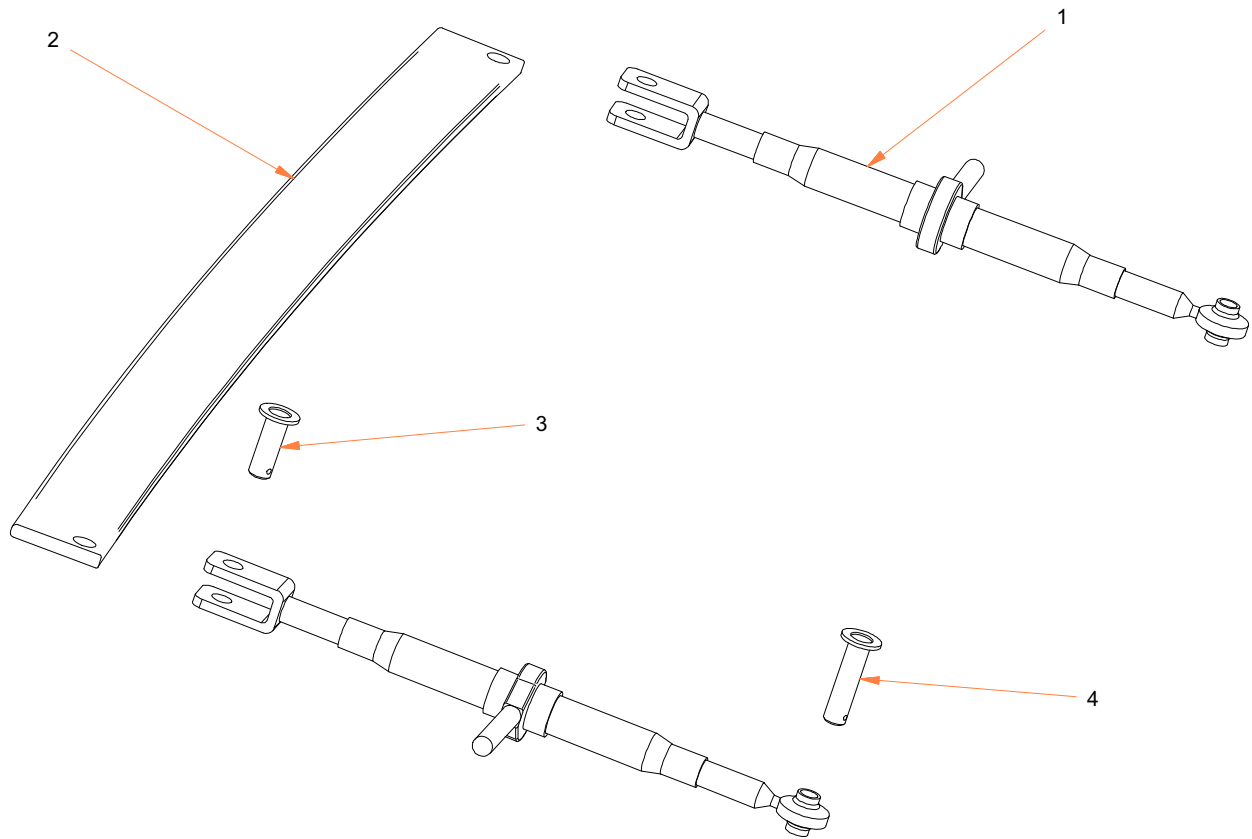
SG003901 - Rev C



Item	Part No	Rev	Description	Qty	Remarks
1	FAB20X60(10.9)		M20x60 (10.9) Hex-head Bolt	56	
2	FAB20X70(10.9)		M20x70 (10.9) Hex-head Bolt	20	
3	FAN20N(10.9)		M20 Nylock Nut 10.9 Grade	76	
4	FAW20(10.9)		Washer	152	
5	G10570000		Qe440 Btm Deck Mesh Hook Guide	2	
6	G10610000		Qe440 Screen Box Rubber Clamp	2	
7	G10620000		Qe440 Screen Box Side Hanging Rubber Clamp	4	
8	G12160000		Qe440 Screen Box Btm Deck Mesh Frame	1	
9	RU1291_LH		Qe440 Screen Box L/h Hanging Rubber	1	
10	RU1291_RH		Qe440 Screen Box R/h Hanging Rubber	1	
11	RU1292	A	Qe440 Screen Box Rear Hanging Rubber	1	
12	RU1293	A	Qe440 Screen Box Front Hanging Rubber	1	
13			Qe440 Btm Deck Mesh Stores Kit	1	See See SG003901STORES - REV 0

11.16 Mesh adjuster set

SG003901STORES - REV 0

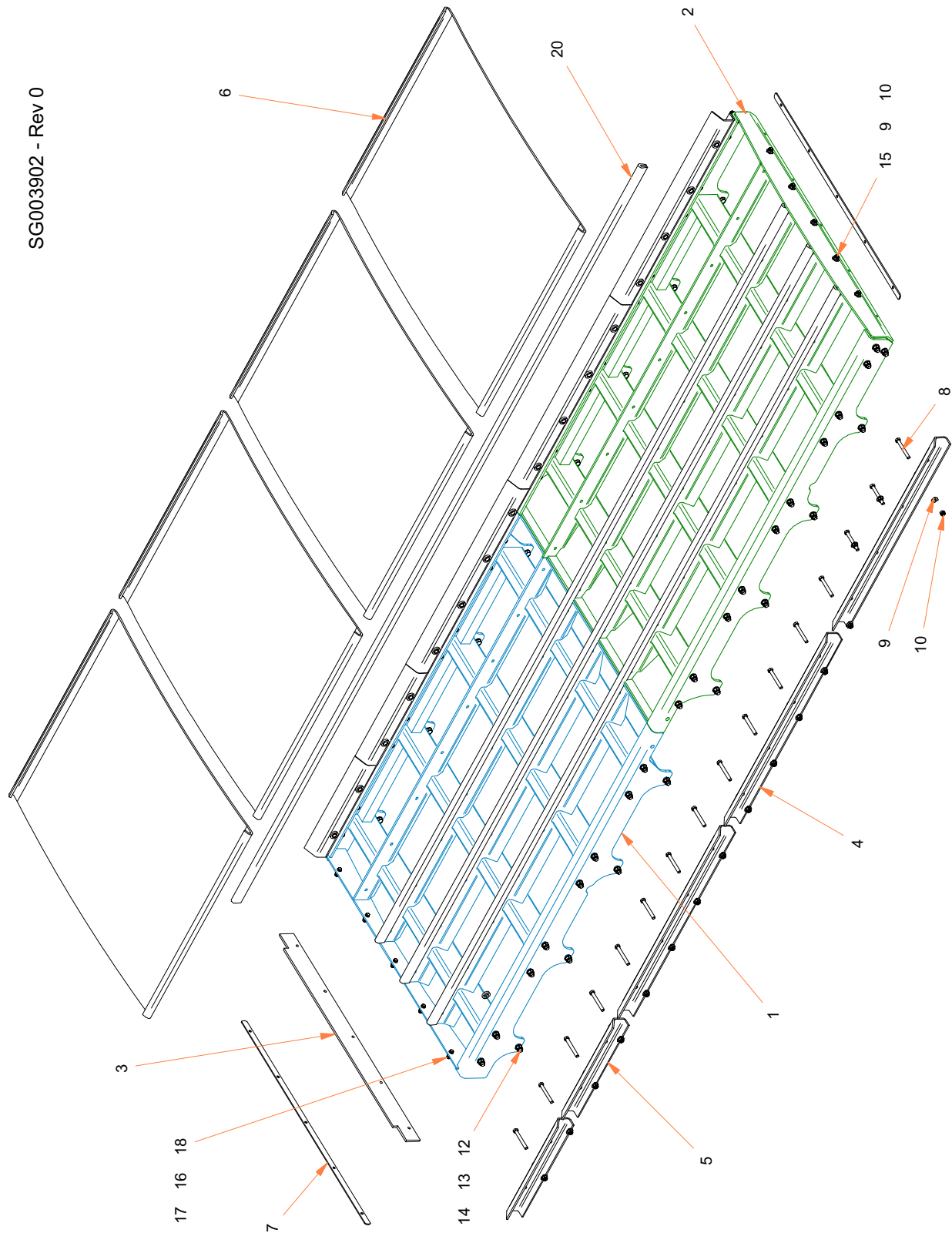


Item	Part No	Rev	Description	Qty	Remarks
1	FD4106		Ratchet	6	
2	G10310000	A	6 Ft Wide Screen Mesh Spring Bar	3	
3	PN1029	A	Screenbox Ratchet Tension Pin	6	
4	PN1072	A	S/box Ratchet Tension Pin	6	



11.17 Screen top mesh frame

SG003902 - REV 0

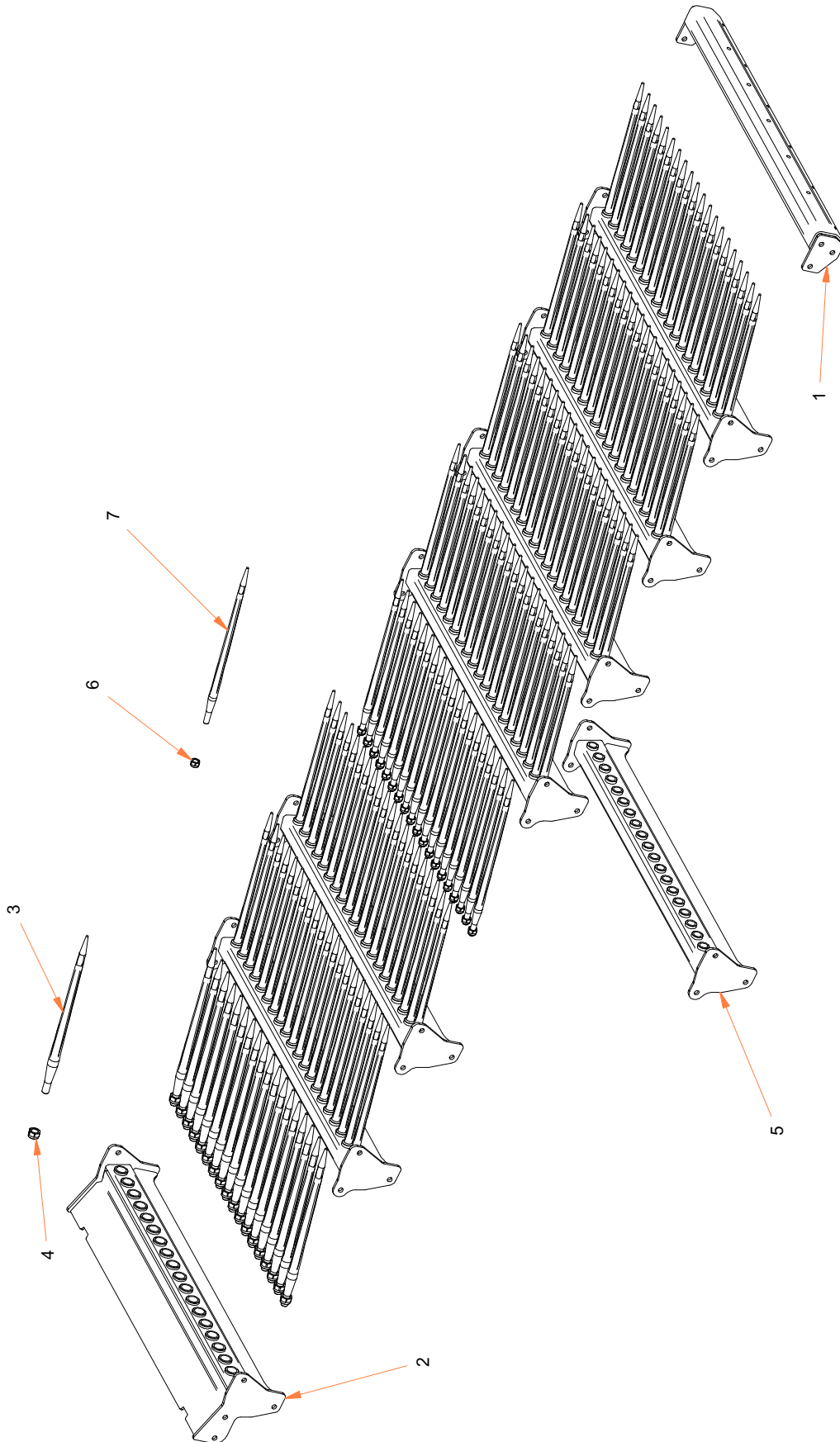


SG003902 - Rev 0

Item	Part No	Rev	Description	Qty	Remarks
1	G10510000		Qe440 Screen Top Deck Mesh Frame Rear	1	
2	G10520000		Qe440 Top Deck Mesh Frame Front Assy	1	
3	RU1290		Qe440 Mesh Frame Rear Rubber Seal	1	
4	G10560000		Qe440 Screen Top Deck Mesh Clamp	6	
5	G10550000		Qe440 Screen Top Deck Short Mesh Clamp	4	
6	QE440 TOP DECK MESH		Qe440_top Deck Mesh Panel	4	
7	G10630000		Qe440 Screen Box Mesh Frame Rubber Clamp	2	
8	FAB16X130(10.9)		M16x130 Ht Hex-head Bolt	32	
9	FAW16TH		M16 Hardened Washer	42	
10	FAN16N(10.9)		M16 Nylock Nut 10.9 Grade	37	
12	FAB20X60(10.9)		M20x60 (10.9) Hex-head Bolt	54	
13	FAW20(10.9)		Washer	108	
14	FAN20N(10.9)		M20 Nylock Nut 10.9 Grade	54	
15	FAB16X45(10.9)		Fab16x45(10.9)	5	
16	FAW12A		M12 Bright Washer	10	
17	FAB12X45		M12 X 45 Ht Bolt	5	
18	FAN12N		M12 Nylock Nut	5	
20	20-30-0215_QE440		Capping Rubber Ur2 15mm 20m (Roll)	4	

11.18 Tines top deck - 50mm

SG003903 - REV 0

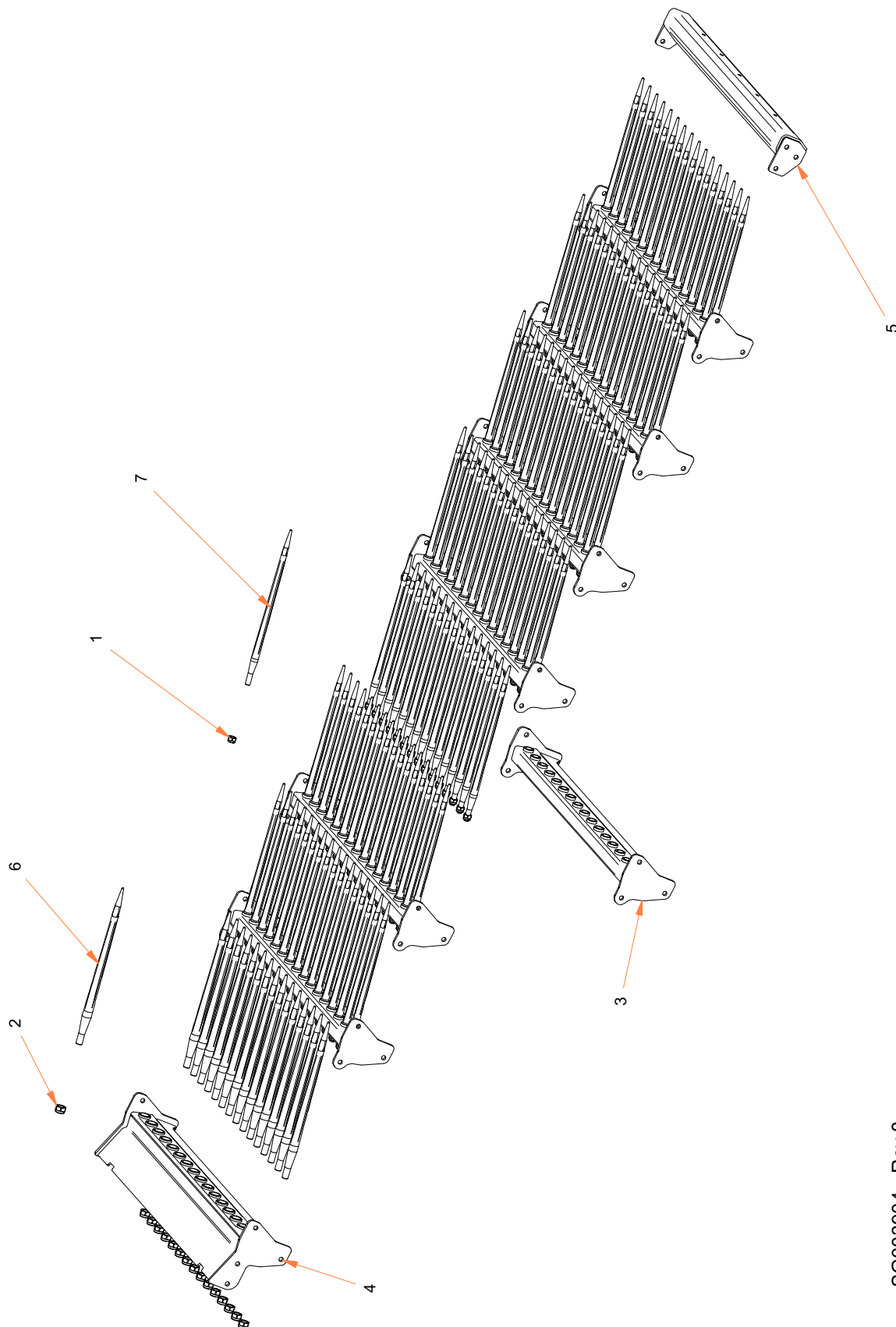


SG003903 - Rev 0

Item	Part Number	Rev	Description	Qty	Remarks
1	G11070000		Qe440 Screen Tine Top Front Cross Member	1	
2	G11090000	A	Qe440 Screen Rear Tine Cross Member 50mm Spacing	1	
3	SMC007		Large Tine Fork (Cat. 2)	19	
4	FAN30NP(10.9)		M30 Nyloc Fine Pitch Thread	19	
5	G11080000	A	Qe440 Screen Tine Cross Member 50mm Spacing	7	
6	FAN24NP(10.9)		M24 Nyloc Fine Pitch Thread	140	
7	SMC008		Small Tine Fork (Cat. 1)	140	

11.19 Tines top deck - 75mm

SG003904 - REV 0

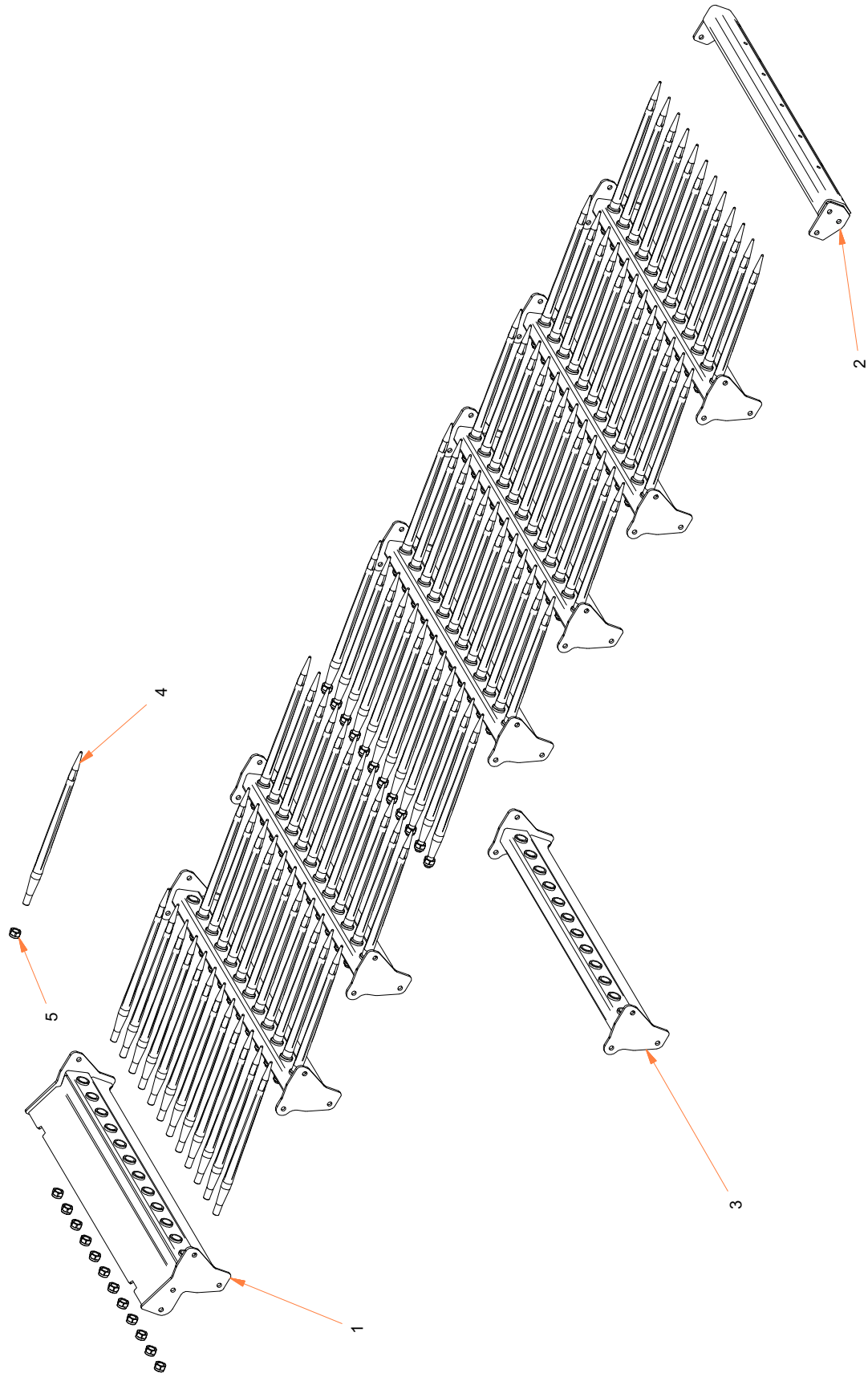


SG003904 - Rev 0

Item	Part No	Rev	Description	Qty	Remarks
1	FAN24NP(10.9)		M24 Nyloc Fine Pitch Thread	112	
2	FAN30NP(10.9)		M30 Nyloc Fine Pitch Thread	16	
3	G11050000		Qe440 Screen Tine Cross Member 75mm Spacing	7	
4	G11060000	A	Qe440 Screen Rear Tine Cross Member 75mm Spacing	1	
5	G11070000		Qe440 Screen Tine Top Front Cross Member	1	
6	SMC007		Large Tine Fork (Cat. 2)	16	
7	SMC008		Small Tine Fork (Cat. 1)	112	

11.20 Tines top deck - 100mm

SG003905 - REV 0

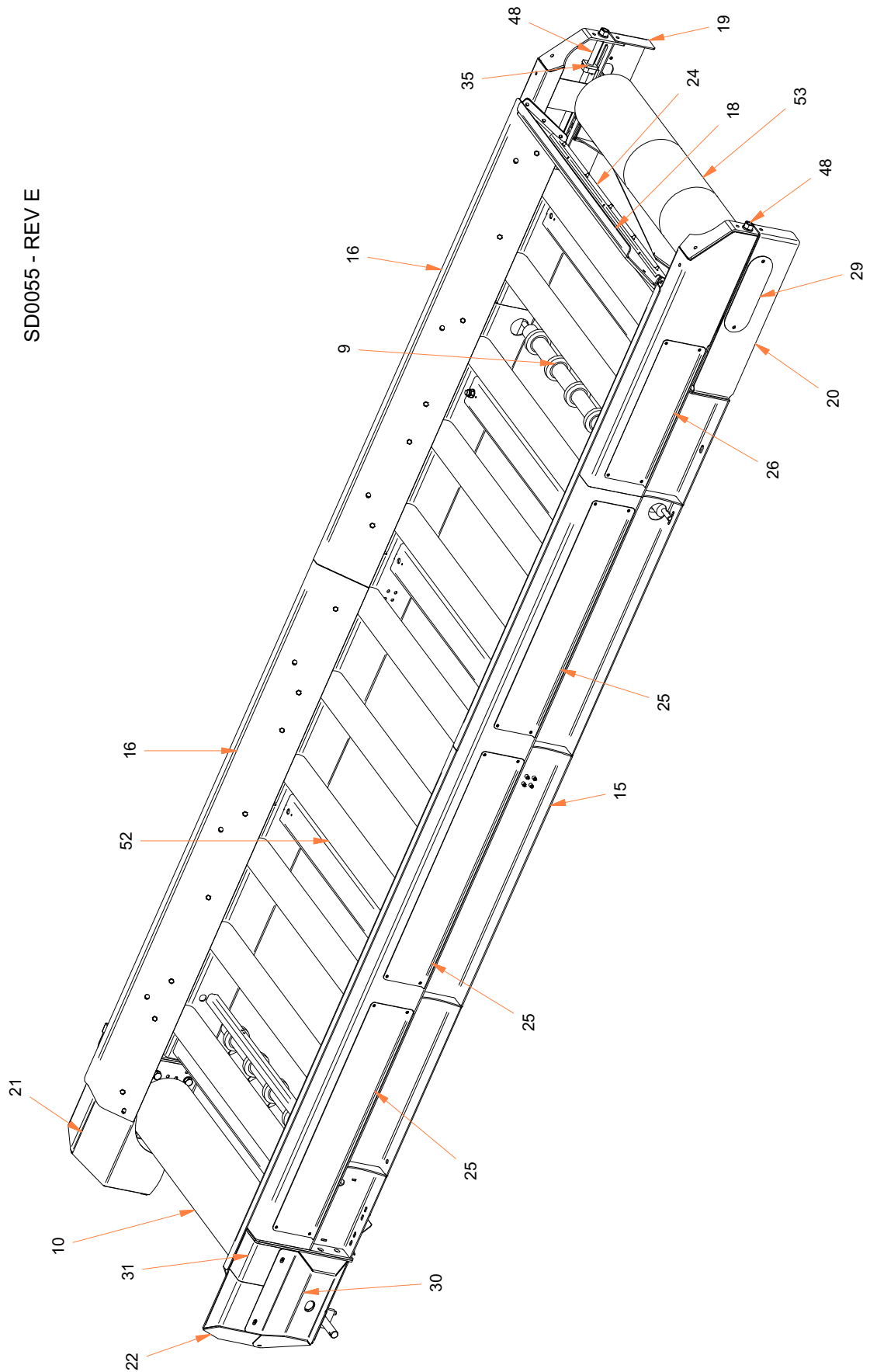


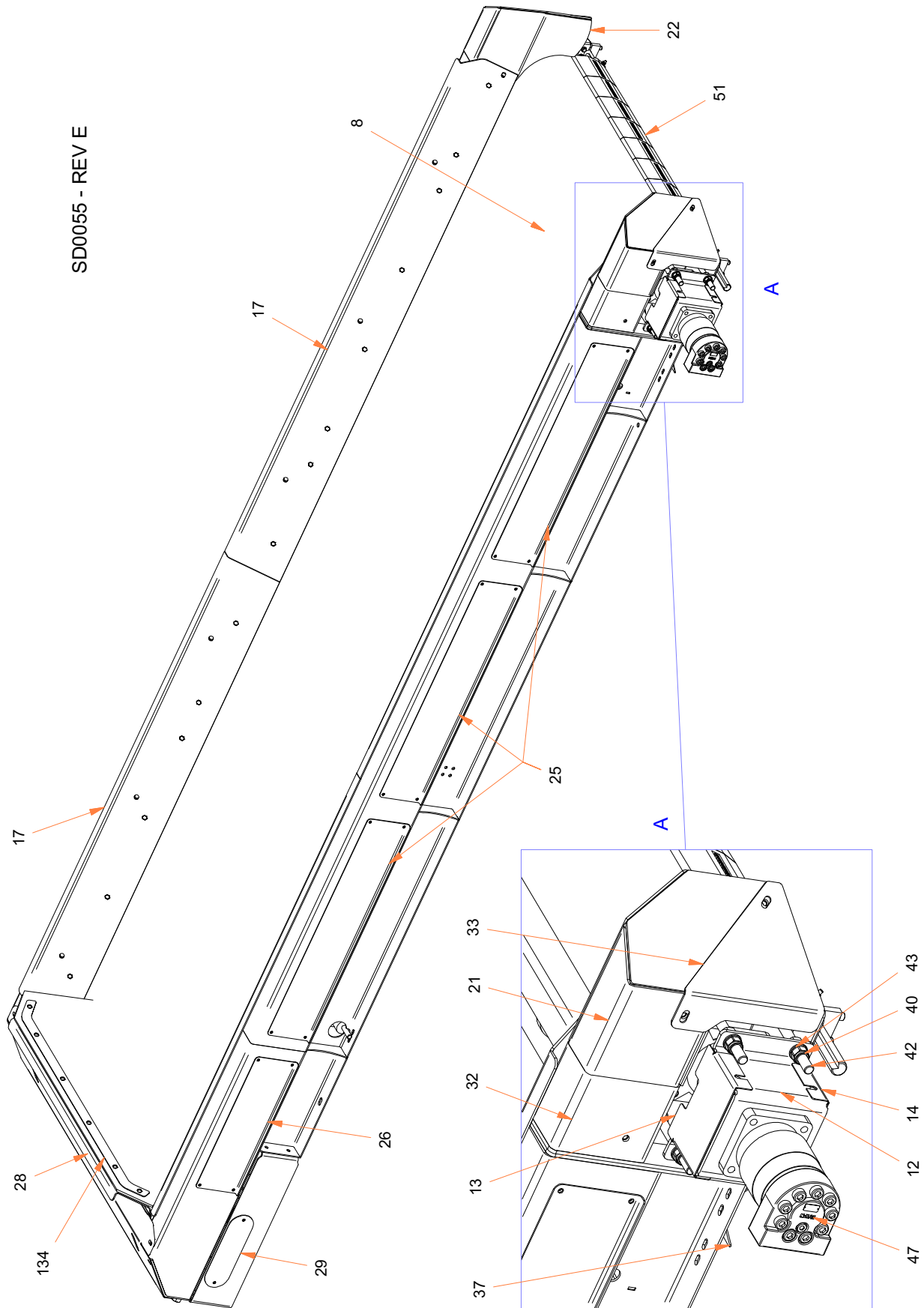
SG003905 - Rev 0

Item	Part No.	Rev	Description	Qty	Remarks
1	G11150000	A	Qe440 Screen Rear Tine Cross Member 100mm Spacing	1	
2	G11070000		Qe440 Screen Tine Top Front Cross Member	1	
3	G11140000	A	Qe440 Screen Tine Cross Member 100mm Spacing	7	
4	SMC007		Large Tine Fork (Cat. 2)	96	
5	FAN30NP(10.9)		M30 Nyloc Fine Pitch Thread	96	

11.21 Fines collector

SD0055 - REV E



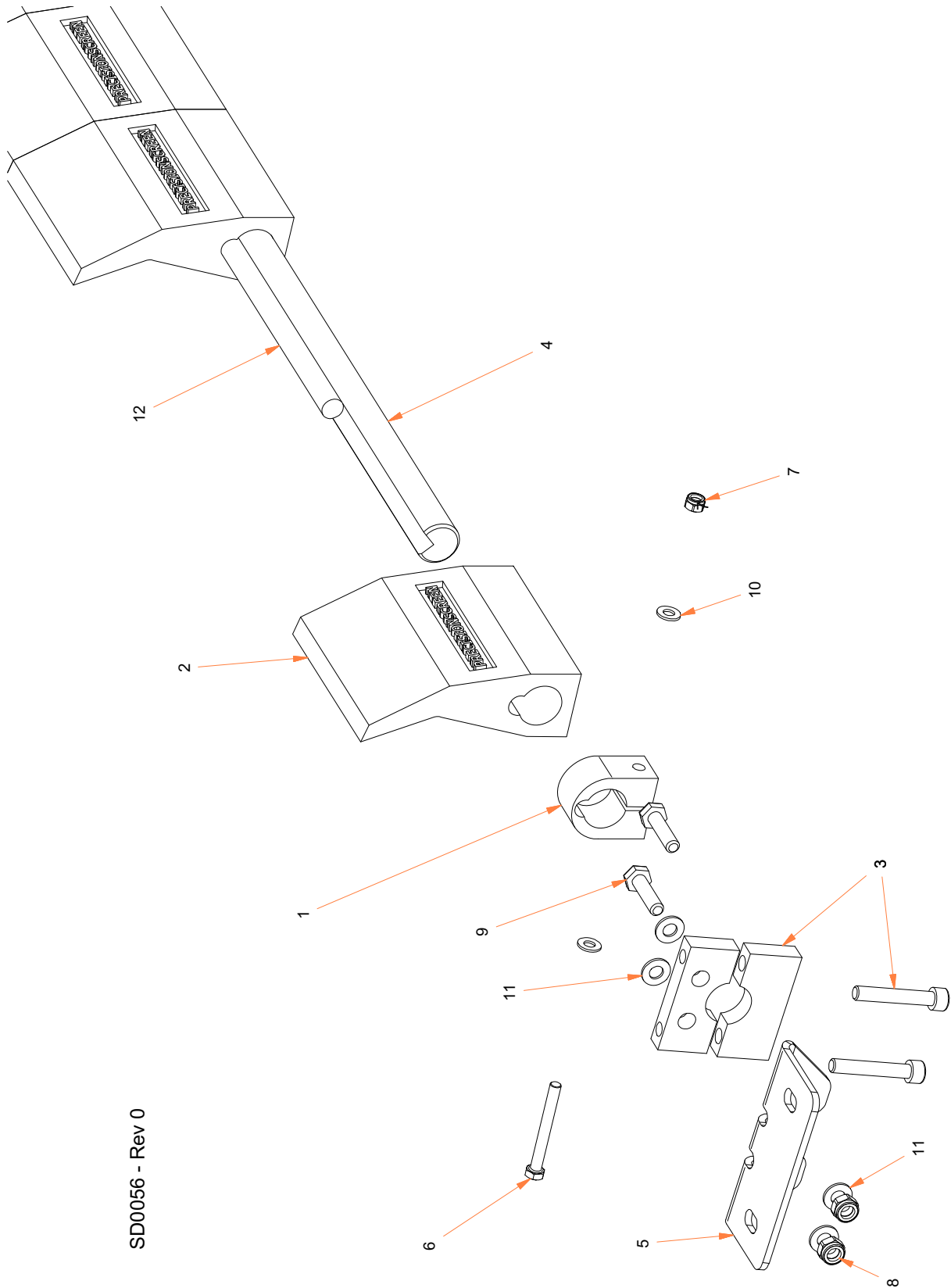


Item	Part No.	Rev.	Description	Qty	Remarks
1	19-03-0127		Tracking Roller - Threaded Shaft 64mm X 127mm	2	
2	BT1009		Sy55tr Plummer Block Bearing	2	
3	BT2010		Fy60tr Multifunction Sealed Y Bearing	2	
4	BT5009		2517/40 Taper Lock Bush	1	
5	BT5010		2517/50 Taper Lock Bush	1	
6	BT6516		Tx180 Drive Coupling Insert	1	
7	BT8501		Tx180f Drive Coupling	2	
8	CB104301400		Qe440 Transfer Conv Belt	1	
9	CR1045		Collector Conveyor Return Roller	2	
10	D10210000		4500 Drive Drum	1	
11	D10640000	A	Conveyor Feedboot Side Rubber Clamp	6	
12	D15610000	A	E7 Fines Motor Mtg Bracket	1	
13	D15620000		E7 Fines Motor Mtg Bracket Top Cover	1	
14	D15630000		E7 Fines Motor Mtg Bracket Bottom Cover	1	
15	D16570000	C	Qe440 Fines Collector Conv. Main Frame	1	
16	D16580000		Qe440 Fines Conv Feedboot L/h Side	1	
17	D16590000		Qe440 Fines Conv Feedboot L/h Side	1	
18	D16600000	A	Qe440 Fines Collector Feed Boot Back Panel	1	
19	D16610000	A	Qe440 Fines Conveyor Tail Drum R/h Side Guard	1	
20	D16620000	A	Qe440 Fines Conveyor Tail Drum L/h Side Guard	1	
21	D16630000	A	Qe440 Fines Conv Drum Seal	1	
22	D16640000	A	Qe440 Fines Conv Drum Seal	1	
23	D16670000		Conveyor Feed Boot Side Rubber Clamp	2	
24	D16680000		Conveyor Feed Boot Rear Rubber Clamp	1	
25	D16690000		Qe440 Fines Conv. Btm Cover	6	
26	D16700000		Qe440 Fines Conv. Btm Cover	2	
27	D16710000	A	Qe440 Fines Tail Drum Scraper Gusset	1	
28	D16780000		Qe440 Fines Collector Conv Tail Drum Guard	1	
29	D16790000		Qe440 Fines Collector Conv Bearing Guard	2	
30	D16870000		Qe440 Fines Collector Conv H/drum Guard (Non-drive)	1	
31	D16900000	A	Qe440 Collector Conv Head Drum Section L/h	1	
32	D16910000		Qe440 Collector Conv Head Drum Section R/h	1	
33	D16920000		Qe440 Fines Collector Conv H/drum Guard (Drive Side)	1	
34	D3780000	A	Head Section Bearing Adjuster Angle	1	
35	E0150000	C	Taildrum Bearing Slider	2	
36	EL9519		Speed Wheel Assembly (Siemens)	1	
37	F5240000		Fines Conv Return Roller Guard	1	
38	FAN20		M20 Hex Nut	10	
39	FAN20N		M20 Nylock Nut	2	
40	FAN20N(10.9)		M20 Nylock Nut 10.9 Grade	4	
41	FAN24		M24 Hex Nut	2	
42	FAS20X200		M20 X 200 Set Screw	4	
43	FAW20(10.9)		M20 Hardened Washer	16	

Item	Part No.	Rev.	Description	Qty	Remarks
44	FAW20A		Bright Washer	4	
45	FAW24(10.9)		M24 Hardened Washer 10.9	2	
46	HAG001801		1/8" Bulkhead C/w Grease Nipple	4	
47	HM8806		Main Con Motor 177-0086-004	1	
48	PN1033	D	Adjuster Bolt	2	
49	PY1056		Qe440 Fines Tail Drum Scraper Gusset	1	
50	RU1347	A	Qe440 Fines Collector Feedboot Back Rubber	1	
51			Qe440 Fines Collector Conv Belt Scraper	1	See SD0056 - REV 0
52	T0110000		Conveyor Bed Roller	11	
53	T0120000		Tail Drum	1	
134	D17110000		Qe440 Fines Collector Feedboot Back Rubber Clamp	1	

11.22 Belt scraper - fines collector

SD0056 - REV 0

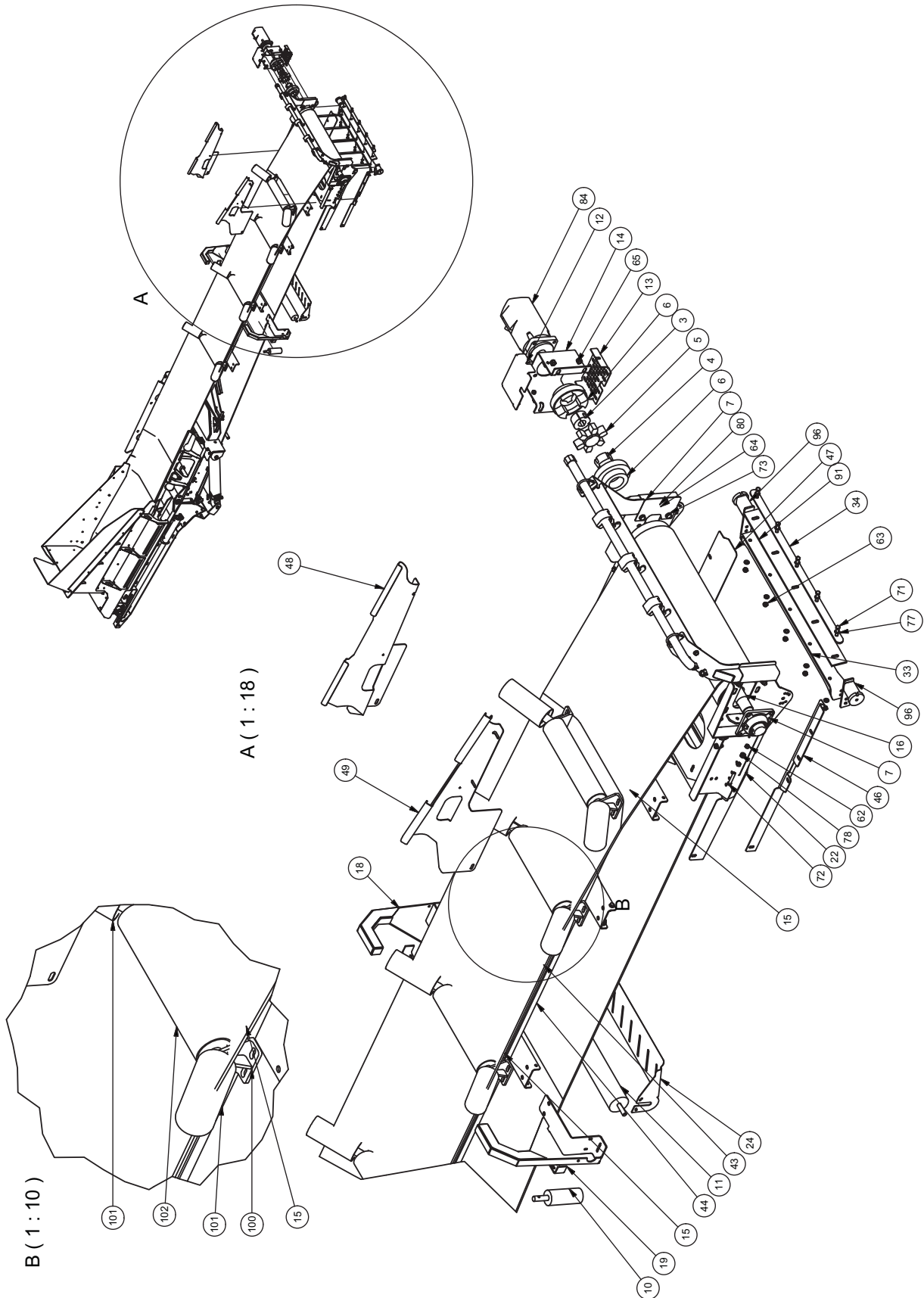


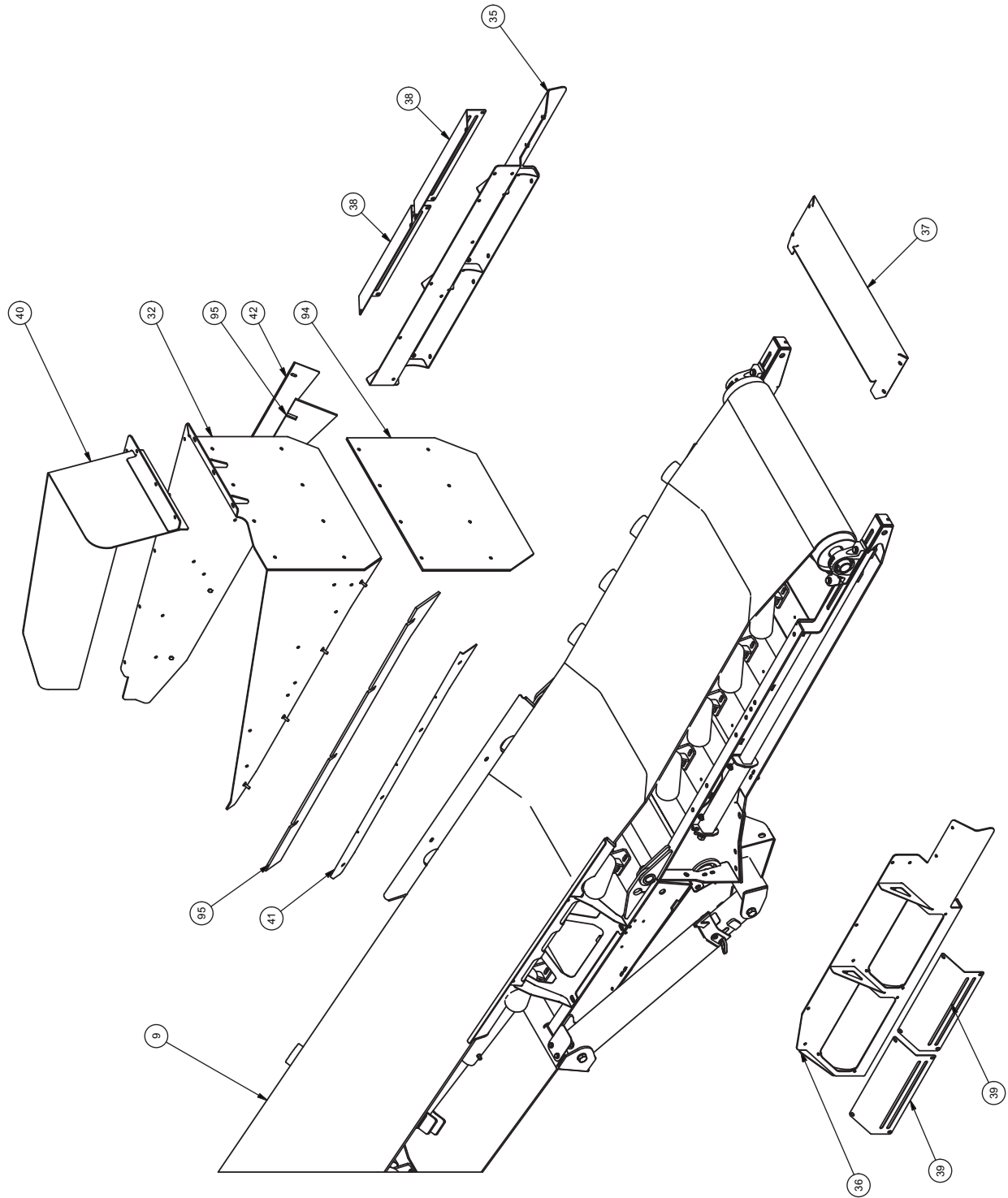
SD0056 - Rev 0

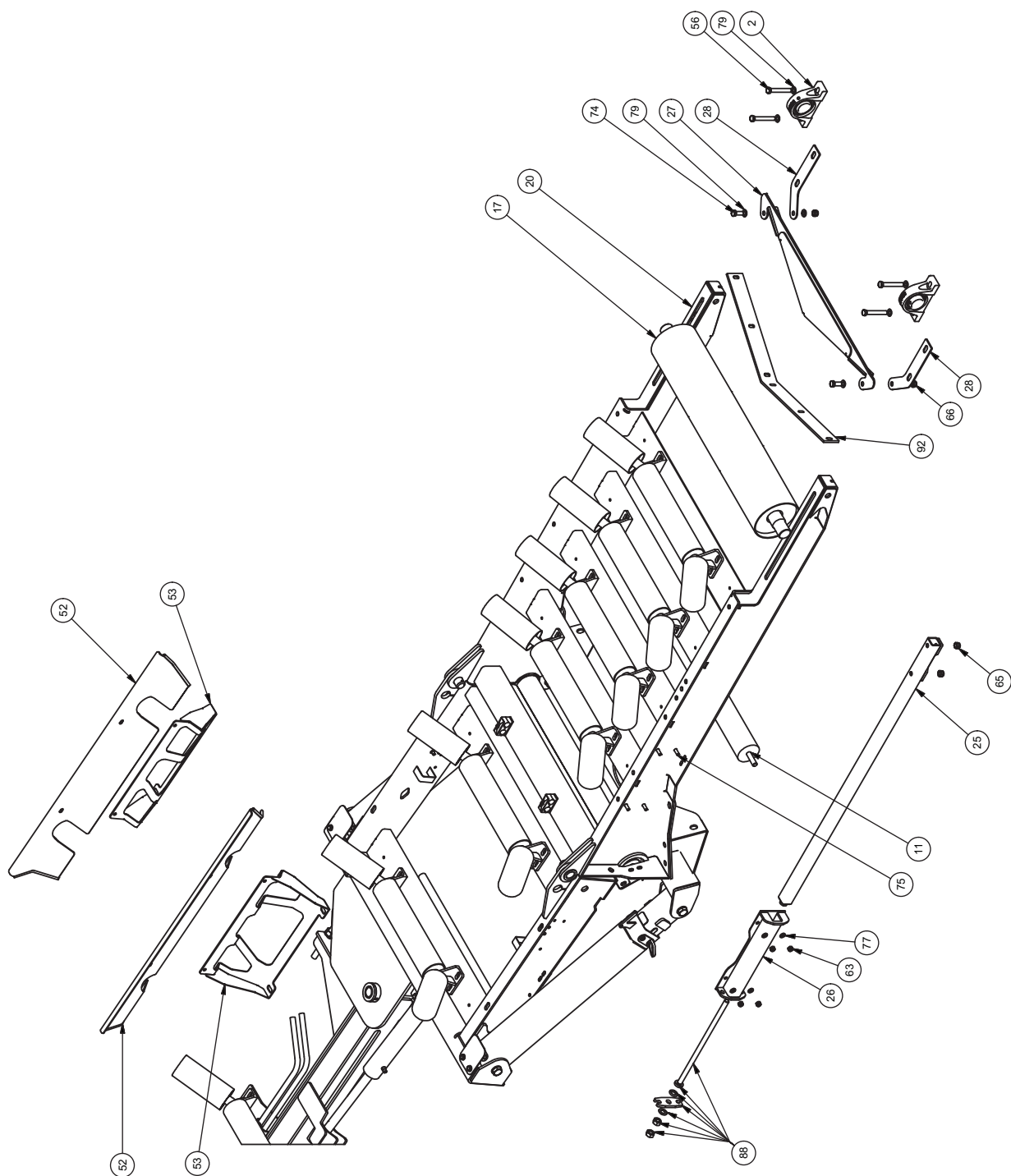
Item	Part No.	Rev	Description	Qty	Remarks
1	12-50-0100		Rubber Rope Clamp	2	
2	20-55-0145		Precisionscreen Belt Scraper Pad	9	
3	640-30-24		Belt Scraper Clamp	2	
4	D16880000		1400 Wide Primary Scraper Adjuster Bar	1	
5	D16890000		Primary Belt Scraper Mounting Bracket	2	
6	FAB08X70		M8 X 70 Ht Bolt	2	
7	FAN08N		M8 Nylock Nut	2	
8	FAN10N		M10 Nylock Nut	4	
9	FAS10X40		M10x40lg Hex Head Screw	4	
10	FAW08A		M8 Bright Washer	4	
11	FAW10A		M10 Bright Washer	8	
12	RU1327		1400 Wide Primary Scraper Rubber Rope Strip	1	

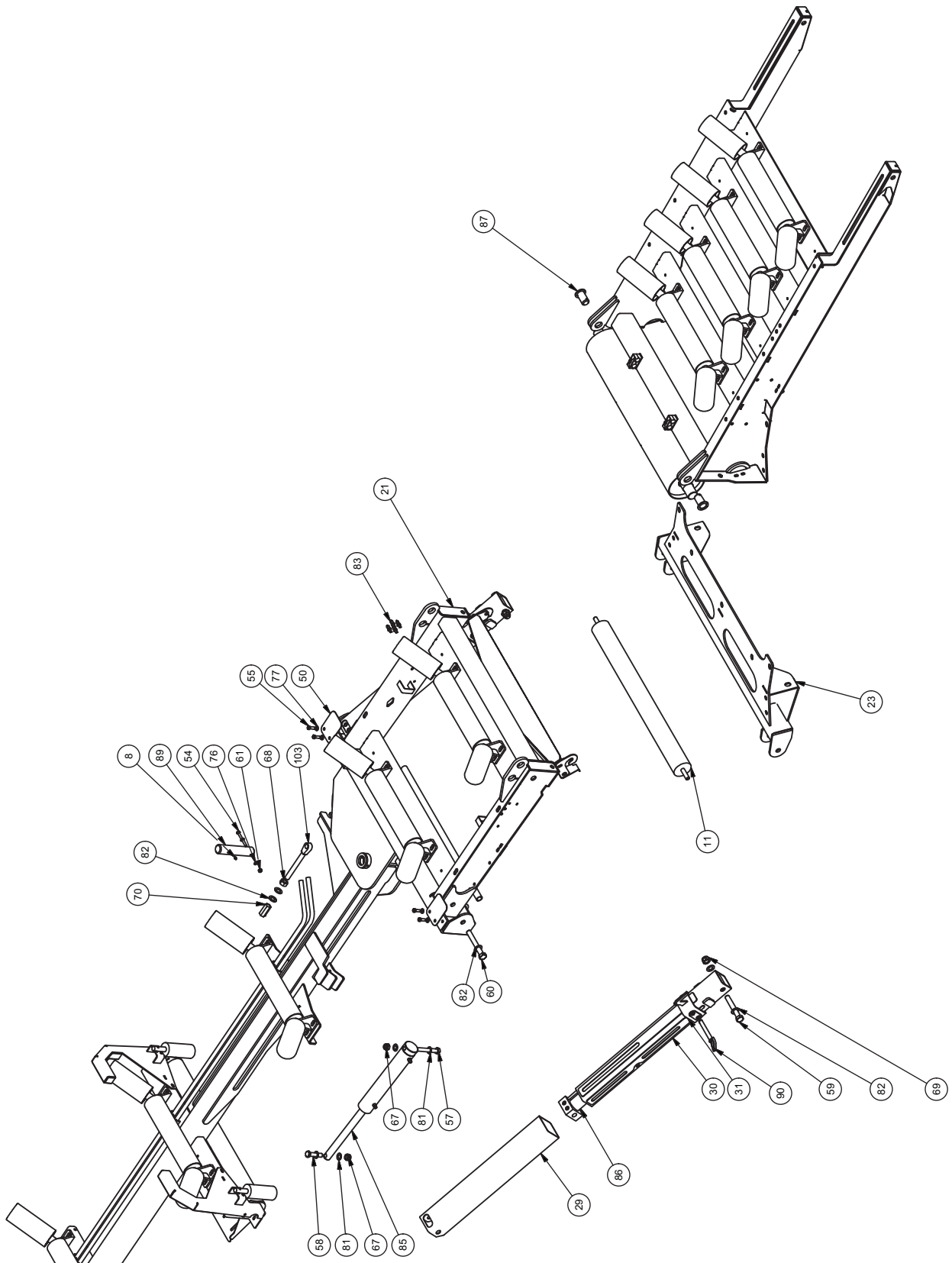
11.23 Fines conveyor

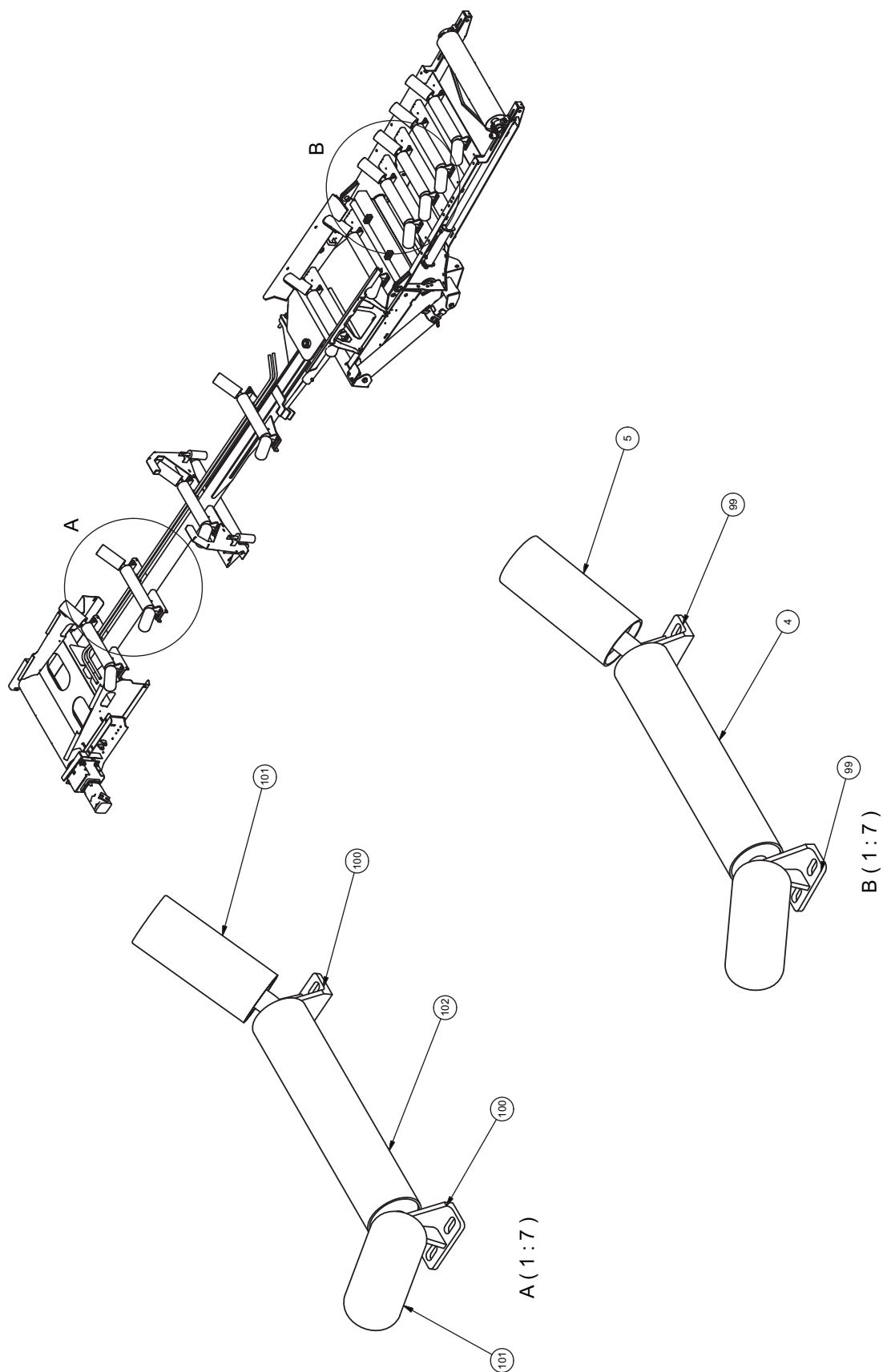
SE0028 - REV J

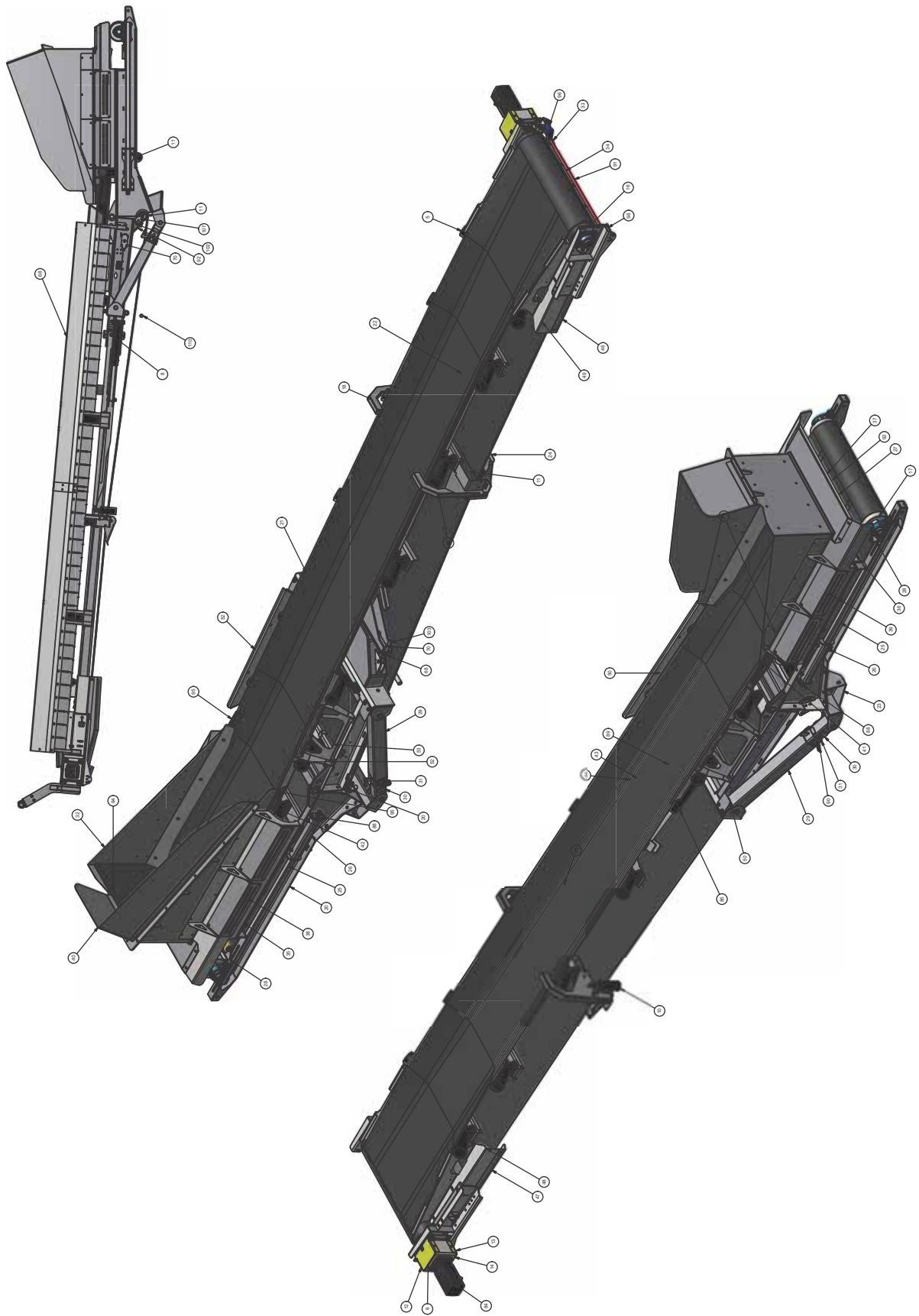












Item	Part No.	Rev	Description	Qty	Remarks
2	BT1009		PLUMMER BLOCK BEARING SY55TR, 1/8"BSP GREASE PORT	2	
3	BT5009		2517/40 TAPER LOCK BUSH	1	
4	BT5010		2517/50 TAPER LOCK BUSH	1	
5	BT6516		TX180 DRIVE COUPLING INSERT	1	
6	BT8501		TX180F DRIVE COUPLING	2	
7	BT2009		BEARING FLANGE FY55TR, Y SEAL, 1/8"BSP GREASE PORT	2	
8	BT5501		1/8" BSP GREASE NIPPLE	1	
9	cb174501000		17.45M LONG X 1M WIDE ENDLESS PLAIN BELT	1	
10	CR1024		BELT TRACKING ROLLER	2	
11	CR9031		1000 WIDE CONVEYOR PLAIN RETURN ROLLER	3	
12	D11860000		ROBOTRAC MOTOR MTB BKT TOP GUARD	1	
13	D11870000		ROBOTRAC MOTOR MTB BKT BTM GUARD	1	
14	D22570000		MOTOR MOUNTING BRACKET FOR HM1007 MOTOR	1	
15	E2910000		DS FULLTRAC SIDE CONVEYOR 22MM PIPE CLAMP	4	
16	E7360000		QE440 FINES SIDE CONVEYOR HEAD DRUM	1	
17	E7370000		QE440 FINES SIDE CONVEYOR TAIL DRUM	1	
18	E7520000		QE440 SIDE CONVEYOR RETURN ROLLER/STOWAGE L/H BRK	1	
19	E7530000		QE440 SIDE CONVEYOR RETURN ROLLER/STOWAGE R/H BRK	1	
20	e7540000		QE440 FINES SIDE CONVEYOR BASE SECTION	1	
21	E7550000		QE440 FINES SIDE CONVEYOR MID SECTION	1	
22	E7560000		QE440 FINES SIDE CONVEYOR TOP SECTION	1	
23	E7570000		QE440 FINES SIDE CONVEYOR LEG BASE ASSY	1	
24	E7580000		1000 WIDE BELT PLAIN RETURN ROLLER GUARD	1	
25	E7590000		QE440 SIDE CONVEYOR TAIL DRUM ADJUSTER INNER	2	
26	E7600000		QE440 SIDE CONVEYOR TAIL DRUM ADJUSTER OUTER	2	
27	E7630000		1000 WIDE BELT PLOUGH SCRAPER	1	
28	E7640000		PLOUGH SCRAPER BRACKET	2	
29	E7670000		QE440 FINES SIDE CONVEYOR TELE-LEG OUTER	2	
30	E7680000		QE440 FINES SIDE CONVEYOR TELE-LEG INNER	2	
31	E7690000		QE440 SIDE CONVEYOR TELE-LEG LOCK	2	
32	E7700000		QE440 FINES SIDE CONVEYOR FEEDBOOT ASSY	1	
33	E7900000		QE440 FINES SIDE CONVEYOR HEAD DRUM SCRAPER BRACKET	1	
34	E7910000		QE440 FINES SIDE CONVEYOR HEAD DRUM SCRAPER CLAMP	1	
35	E7920000		QE440 FINES SIDE CONVEYOR FEEDBOOT SUPPORT R/H	1	
36	E7930000		QE440 FINES SIDE CONVEYOR FEEDBOOT SUPPORT L/H	1	
37	E7940000		QE440 FINES SIDE CONVEYOR TAIL DRUM GUARD	1	
38	E7950000		QE440 FINES SIDE CONVEYOR FEEDBOOT SUPPORT COVER	2	
39	E7960000		QE440 FINES SIDE CONVEYOR FEEDBOOT SUPPORT COVER	2	
40	E7970000		QE440 FINES SIDE CONVEYOR REMOVABLE FEEDBOOT ASSY	1	
41	E7980000		QE440 FINES SIDE CONVEYOR FEEDBOOT CLAMP L/H	1	
42	E7990000		QE440 FINES SIDE CONVEYOR FEEDBOOT CLAMP R/H	1	

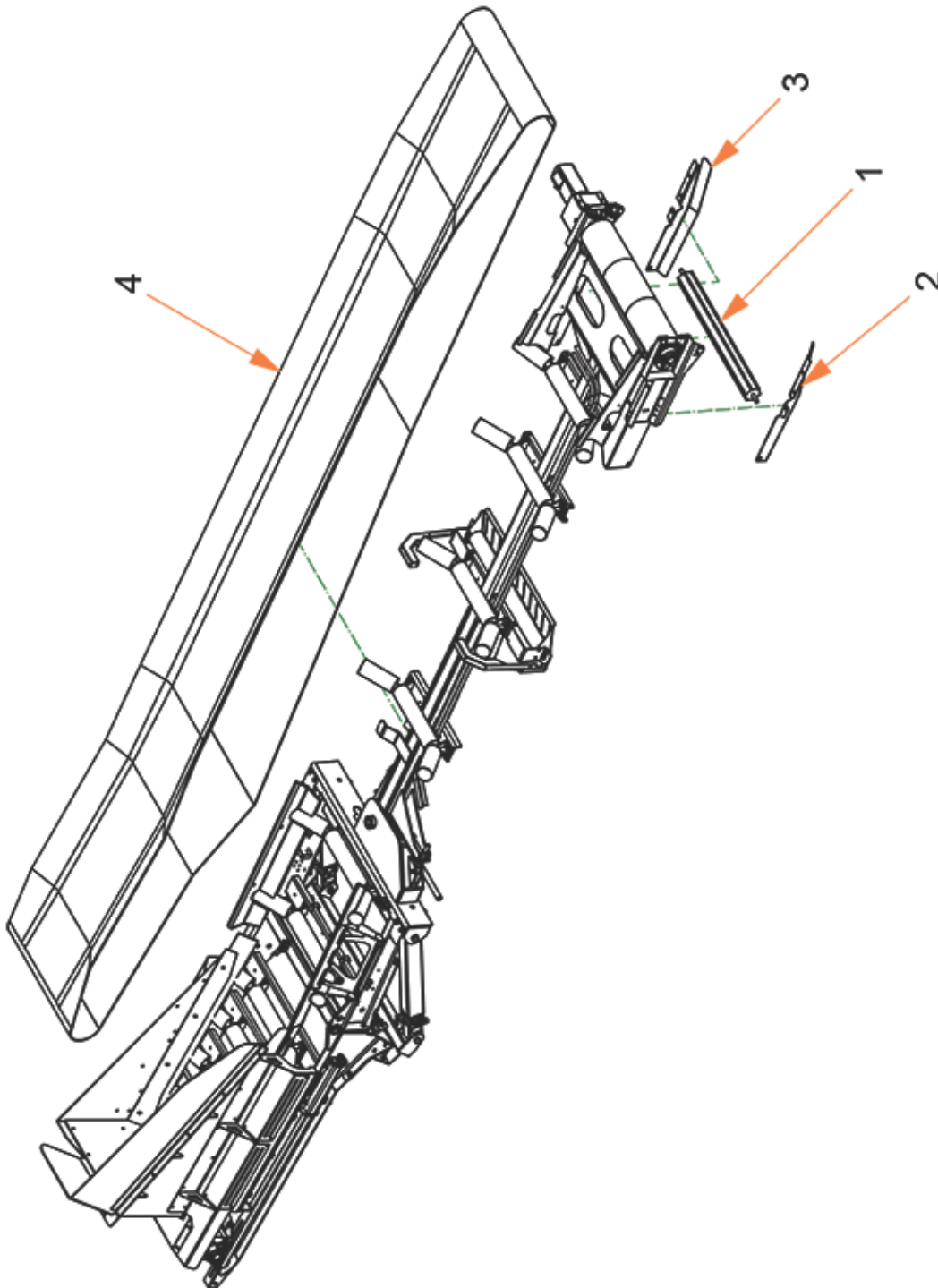
Item	Part No.	Rev	Description	Qty	Remarks
43	E8120000		QE440 SIDE CON STEEL PIPE DETAIL	1	
44	E8130000		QE440 SIDE CONVEYOR STEEL PIPE	1	
46	E8490000		CEMEX QE440 FINES SIDE CONV HEAD DRUM BTM L/H NIP GUARD	1	
47	E8500000		CEMEX QE440 FINES SIDE CONV HEAD DRUM BTM R/H NIP GUARD	1	
48	E8530000		CEMEX QE440 FINES SIDE CONV HEAD DRUM TOP L/H NIP GUARD	1	
49	E8540000		CEMEX QE440 FINES SIDE CONV HEAD DRUM TOP R/H NIP GUARD	1	
50	E8600000		QE440 SIDE CONV RAM PIPE GUARD	2	
52	E9430000		QE440 FINES SIDE CONVEYOR GREEDY BOARD	2	
53	E9440000		QE440 FINES SIDE CONVEYOR GREEDY BOARD SUPPORT	2	
54	FAB10x100		M10 x 100 BOLT	1	
55	FAB12X35		M12 X 35 HEX HEAD	4	
56	FAB16X110		M16 X 110 HEX HEAD	4	
57	FAB20X140		M20 x 140 Hex-Head Bolt	1	
58	FAB20X90(10.9)		HEX-HEAD BOLT M20X90	1	
59	FAB24X160		M24X160 Hex-Head Bolt	2	
60	FAB24X180		M24X180 Hex-Head Bolt	2	
61	FAN10N(10.9)		Nyloc Nut	1	
62	FAN12		M12 Hex Nut	2	
63	FAN12N		M12 NYLOCK NUT	14	
64	FAN16		M16 Hex Nut	8	
65	FAN16N		M16 NYLOCK NUT	8	
66	FAN16N(10.9)		M16 NYLOCK NUT 10.9 GRADE	2	
67	FAN20N		M20 NYLOCK NUT	2	
68	FAN24		M24 Hex Nut	1	
69	FAN24N		M24 NYLOC NUT	4	
70	FAN24SC		M24 STUD CONNECTOR	1	
71	FAS12X50		M12 X 50 HEX-HEAD BOLT	5	
72	FAS12X70		Hex-Head Bolt	1	
73	FAS16X110		Hex-Head Bolt	4	
74	FAS16X40		M16 x 40 SET SCREW	2	
75	FASKT12X40B H		M12 X 40 BUTTON HEAD	8	
76	FAW10A		M10 Bright Washer	2	
77	FAW12A		M12 Bright Washer	33	
78	FAW12FA		Bright Washer	2	
79	FAW16(10.9)		M16 HARDENED WASHER	8	
80	FAW16A		M16 (FORM A) WASHER	16	
81	FAW20A		Bright Washer	4	
82	FAW24A		M24 Washer	10	
83	HAG001801		1/8" BULKHEAD C/W GREASE NIPPLE	4	
84	HM1007		CHARLYNN 4K395 AAA 006 MOTOR	1	
85	HR2536		QE440 SIDE CONVEYOR SIDE FOLD RAM	1	
86	HR2537		QE440 FINES SIDE CONVEYOR TELE LEG RAM	2	

Item	Part No.	Rev	Description	Qty	Remarks
87	PN1132		TROMMEL SIDE CONV PIVOT PIN	2	
88	PN1213		M20 TENSIONING BOLT ASSEMBLY	2	
89	PN1214		QE440 SIDE CONVEYOR SIDE FOLD PIVOT PIN	1	
90	PN1222		DIAMETER 20 x 150mm LG PIN	2	
91	PY1014		1000 WIDE BELT SPRING MTG HEAD DRUM SCRAPER BLADE	1	
92	PY1058		QE440 FINES SIDE CONVEYOR PLOUGH POLY SCRAPER	2	
94	RU1345		QE440 FINES SIDE CONVEYOR FEEDBOOT REAR RUBBER	1	
95	RU1484		QE440 SIDE CONV FEEDBOT SEALING RUBBER	2	
96	RU5501		ROSTA SUPPORT SE27	2	
99	CR1004		30° ROLLER BRACKET	10	
4	CR9068		SANDVIK 1000 WIDE CONV CENTER ROLLER(OLD NO.CR9030)	5	
5	CR9048		SANDVIK MAIN CONV WING ROLL(OLD NO.CR1003)		
100	CR1006		40° ROLLER BRACKET	10	
101	CR9048		SANDVIK MAIN CONV WING ROLL(OLD NO.CR1003)	10	
102	CR9068		SANDVIK 1000 WIDE CONV CENTER ROLLER(OLD NO.CR9030)	5	
103	T10070000		DRUM DRIVE TORQUE ARM	1	
100	FAS12X30		M12 X 30 SET SCREW	2	
101	E11390000		QE341 SIDE CONV ROLLER GUARD BRACKET OPP-HAND	1	
102	E13710000		QE440 SIDE CONV ROLLER GUARD	1	
107	E11380000		QE341 SIDE CONV ROLLER GUARD BRACKET	1	
108	12-65-0312		M12 - EYE BOLT	2	
110	E13750000		SIDE CONVEYOR BELT RETAINER 1000 BELT	1	



11.1 Chevron belt option

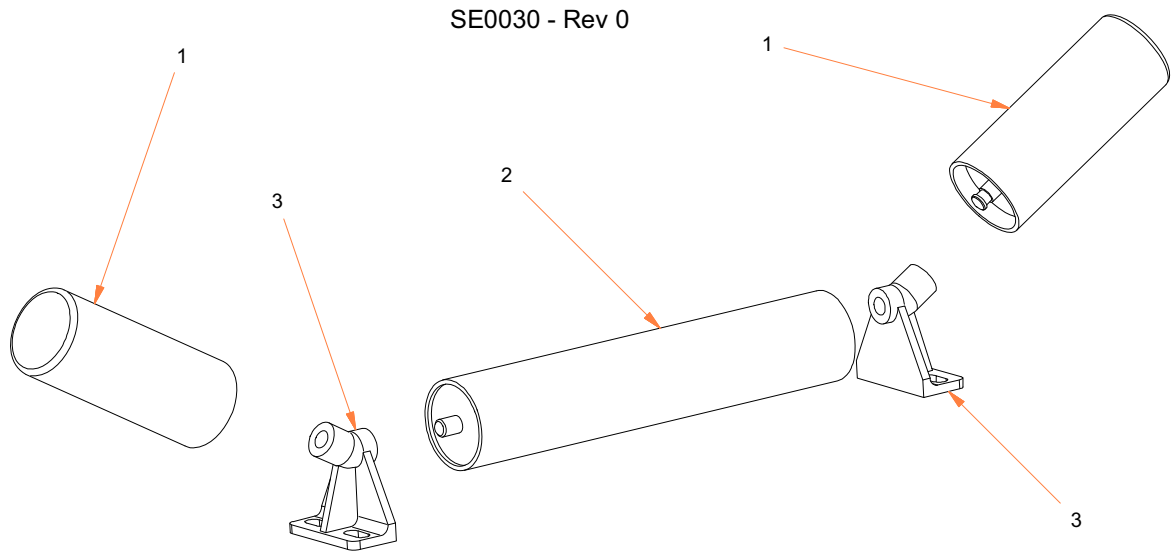
SE0028 - REV J



Item	Part No	Rev	Description	Qty	COMMENTS
1	CR9032		1000 WIDE CONVEYOR SLAPPER ROLLER		
2	E10290000		QE341 SIDE CONV HEAD DRUM BTM L/H NIP GUARD		
3	E10300000		QE341 SIDE CONV HEAD DRUM BTM R/H NIP GUARD		
4	cb174501000ch		17.45M LONG X 1M WIDE ENDLESS CHEVRON BELT		

11.24 Roller set 30°

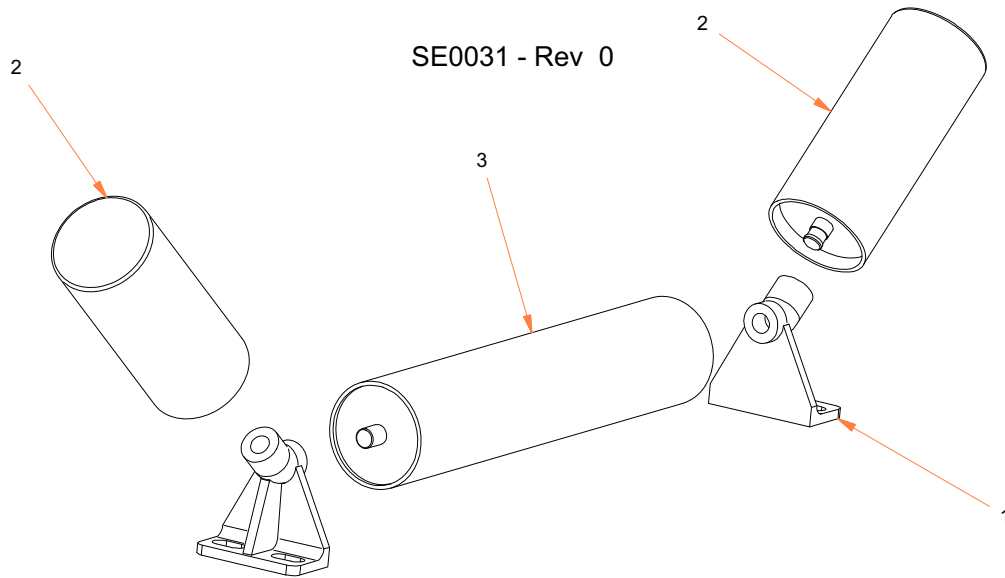
SE0030 - REV 0



Item	Part No	Rev	Description	Qty	Remarks
1	CR1003		Wing Roller (Ø102 X 254mm)	2	
2	CR9030		1000 Wide Conveyor Centre Roller	1	
3	CR1004		30° Roller Bracket	2	

11.25 Roller set 45°

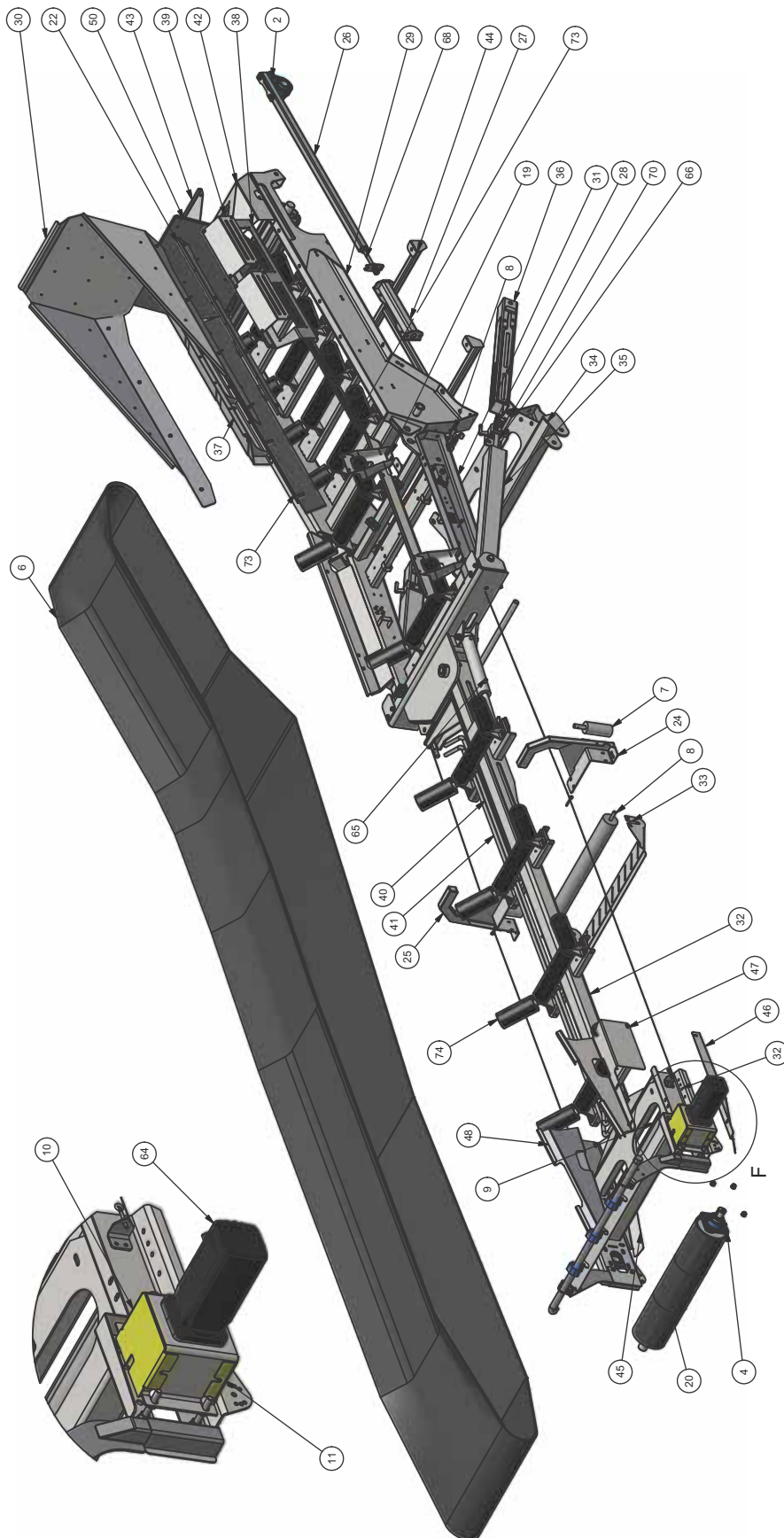
SE0031 - REV 0

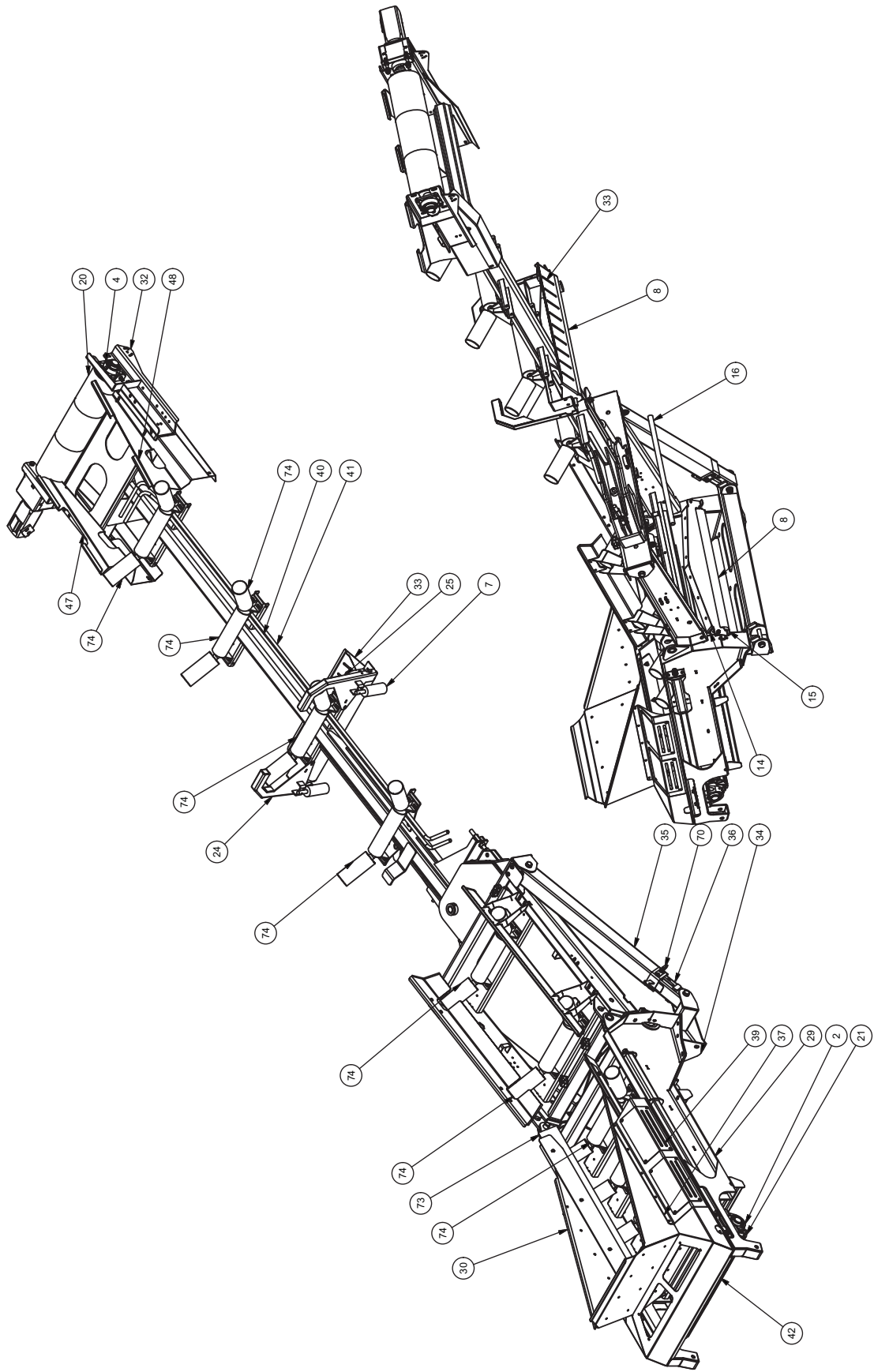


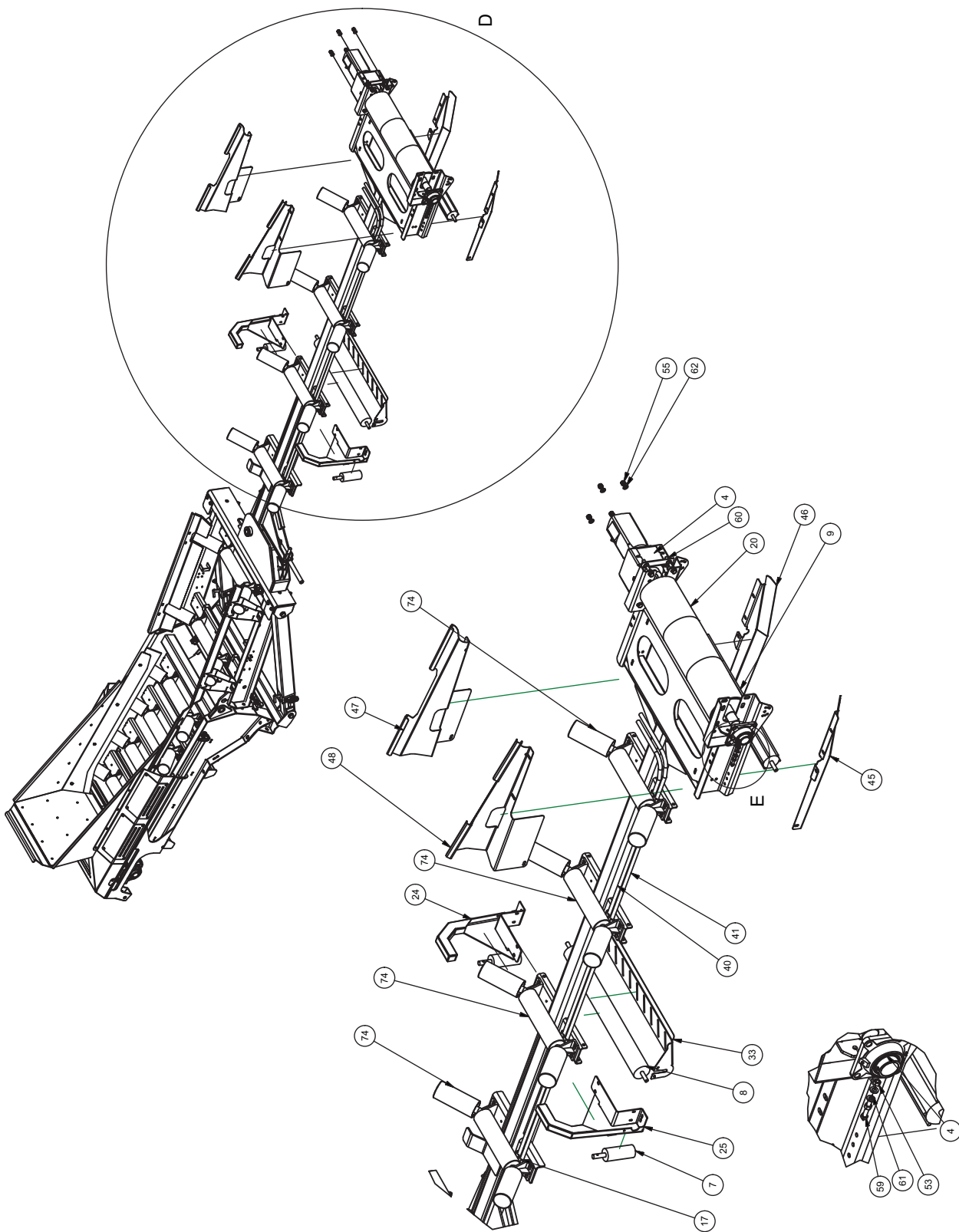
Item	Part No	Rev	Description	Qty	Remarks
1	CR1006		40° Roller Bracket	2	
2	CR9048		Sandvik Main Conv Wing Roll(Old No.cr1003)	2	
3	CR9068		Sandvik 1000 Wide Conv Center Roller(Old No.cr9030)	1	

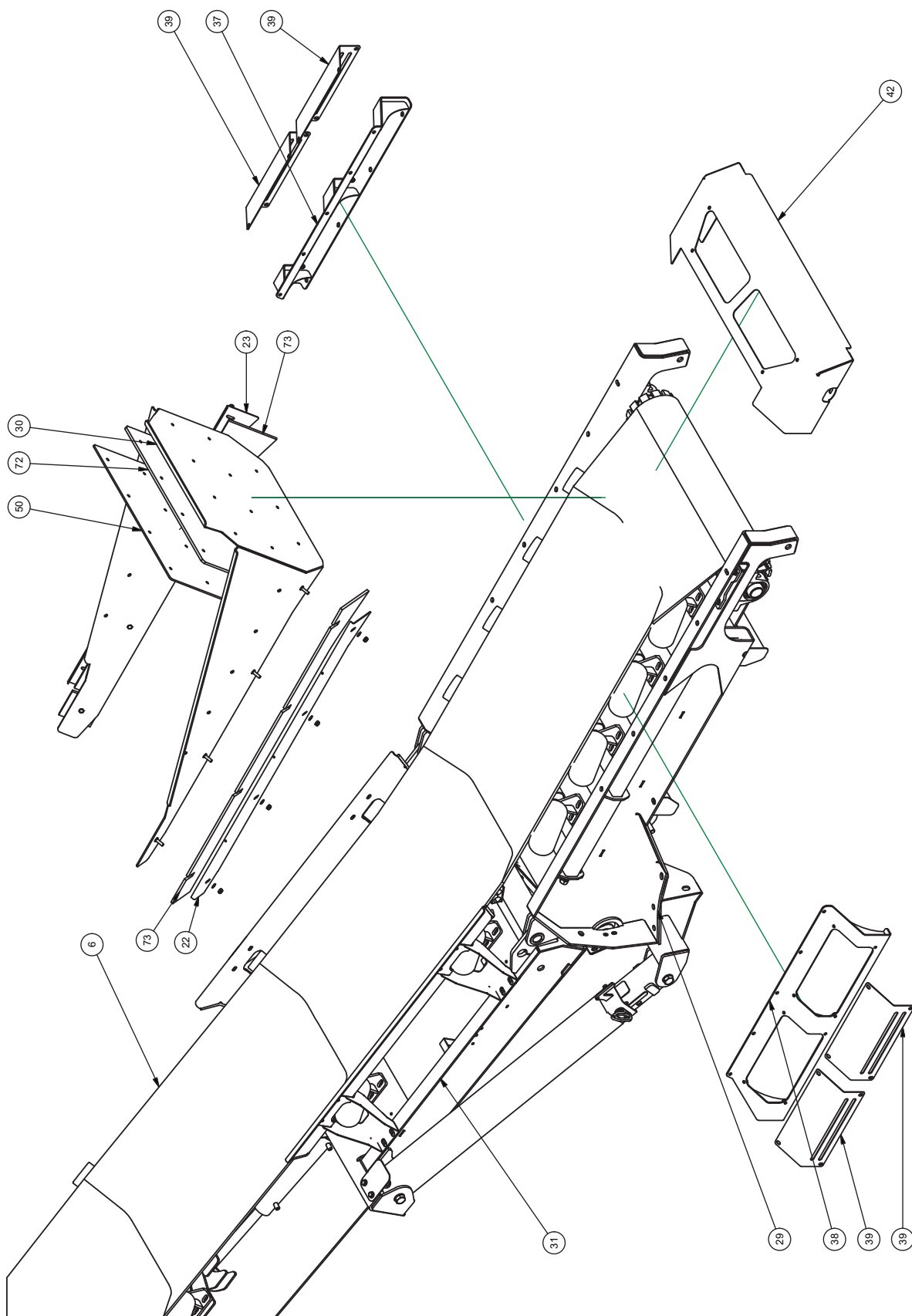
11.26 Mid grade conveyor

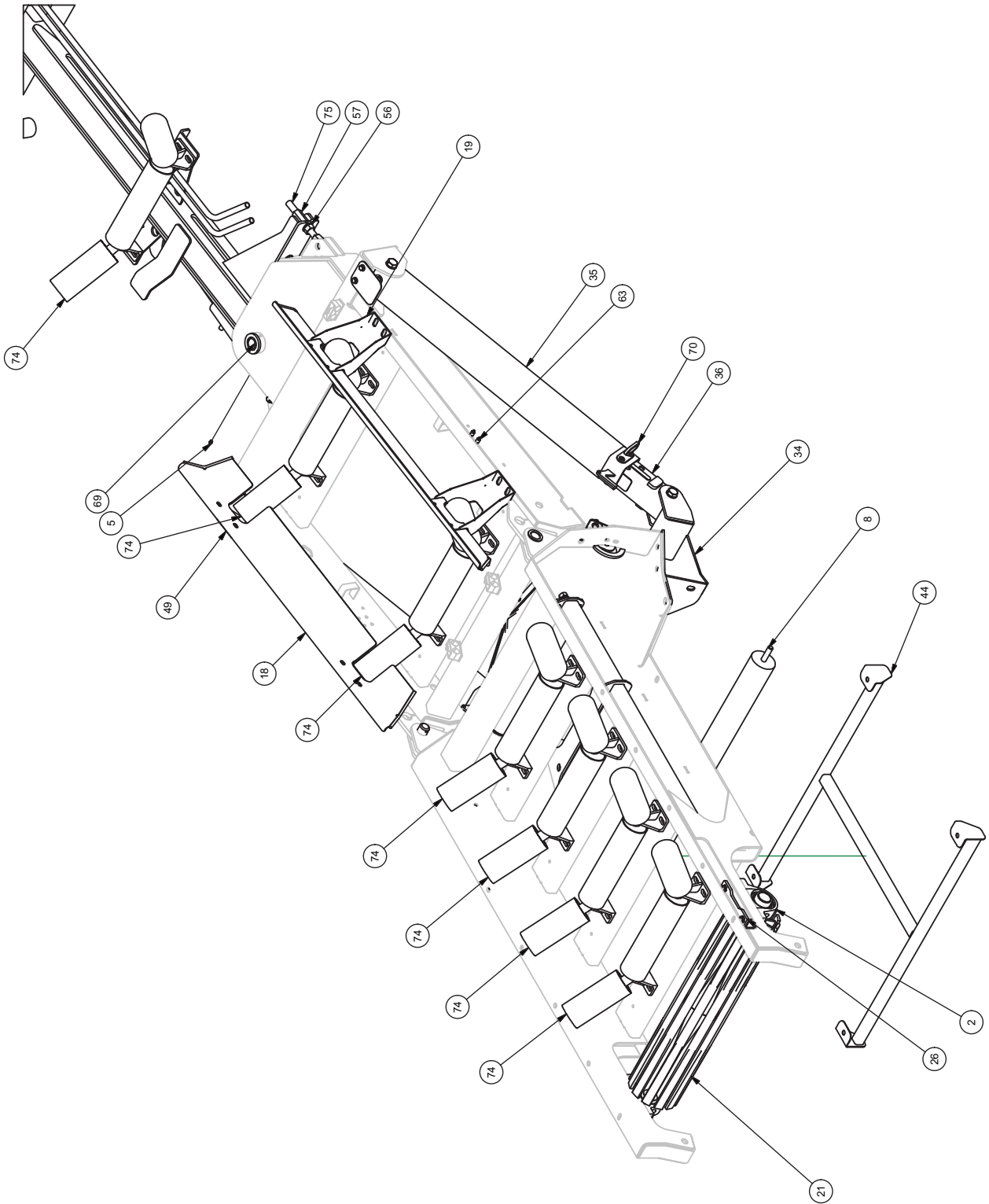
SE0029 REV F

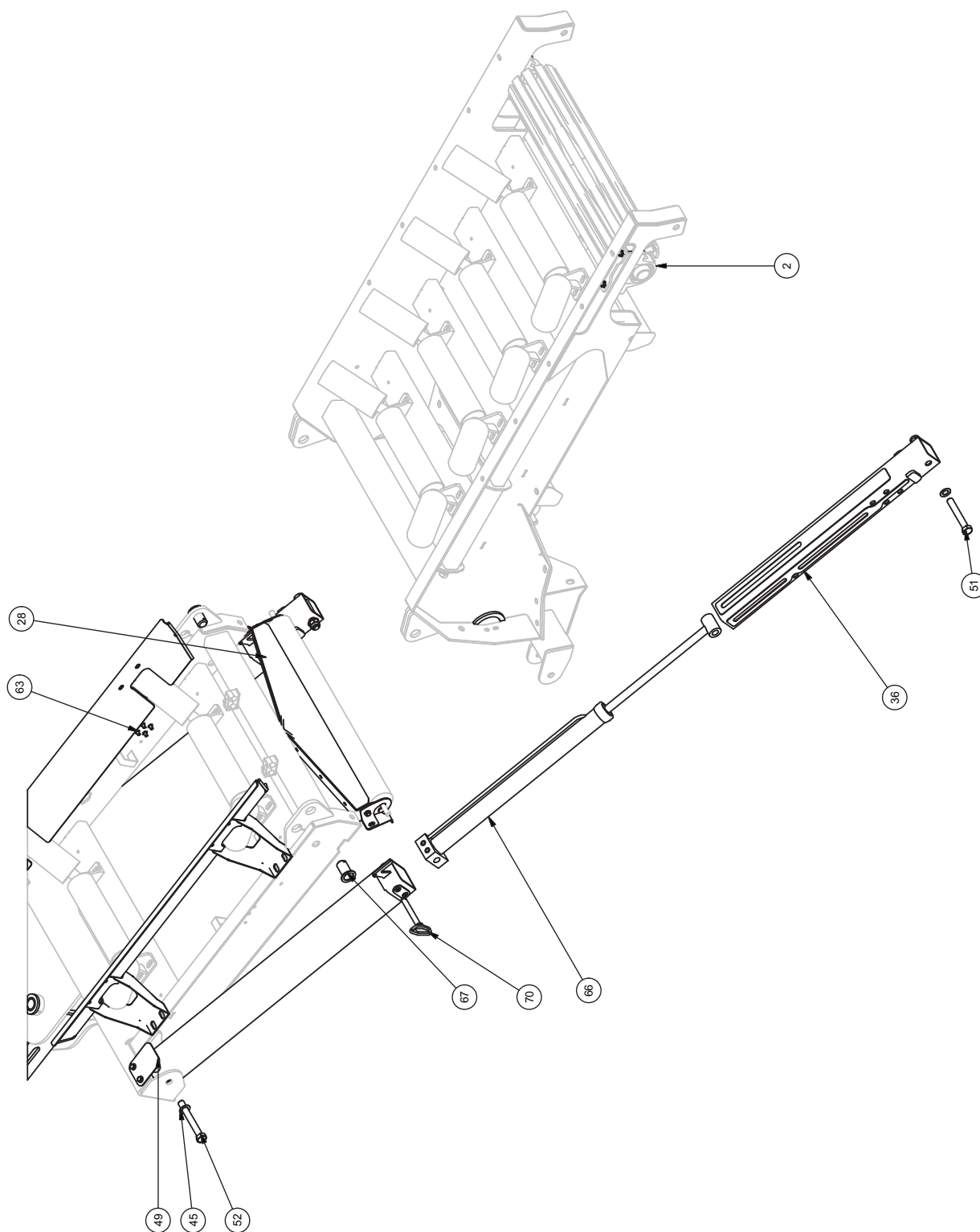












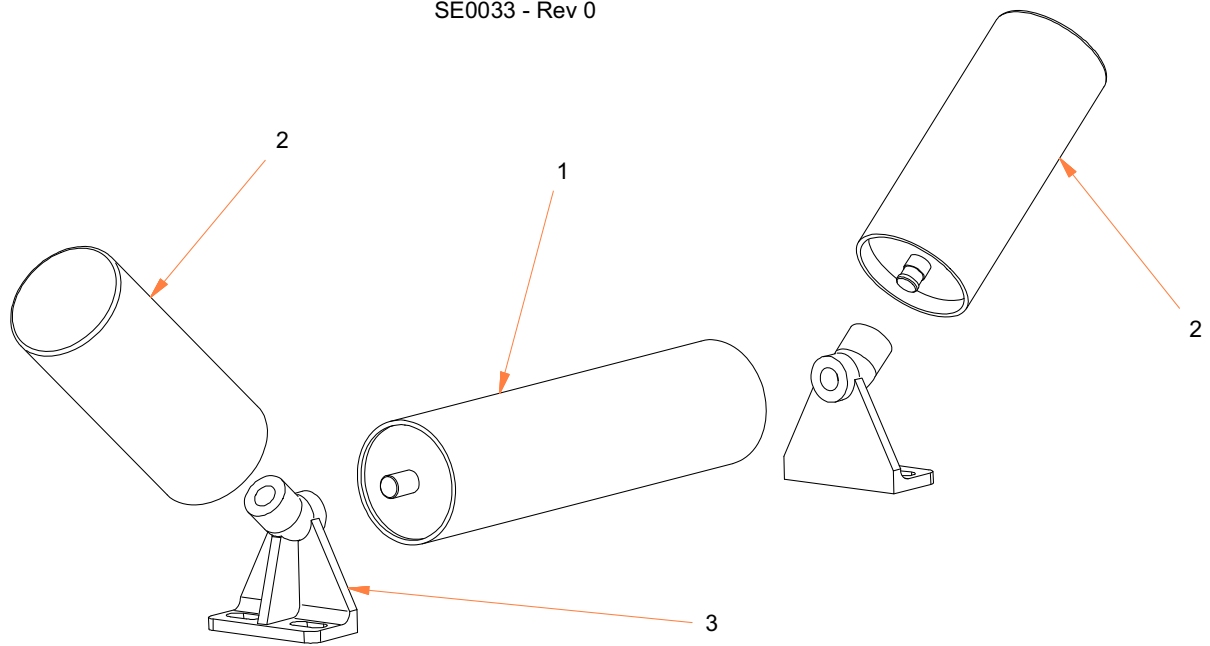
Item	Part No	Rev	Description	Qty	Remarks
1	12-65-0312		M12 - EYE BOLT	2	
2	BT1009		PLUMMER BLOCK BEARING SY55TR, 1/8"BSP GREASE PORT	2	
3	BT10269		TX180F DRIVE COUPLING WITH 2517/40+2517/50 TAPER LOCK BUSHES	1	
4	BT2009		BEARING FLANGE FY55TR, Y SEAL, 1/8"BSP GREASE PORT	2	
5	BT5501		1/8" BSP GREASE NIPPLE	1	
6	CB17750900ch		17.75M LONG X 0.9M WIDE ENDLESS CHEVRON BELT	1	
7	CR1024		BELT TRACKING ROLLER	2	
8	CR9033		900 WIDE BELT PLAIN RETURN ROLLER	3	
9	CR9034		900 WIDE CONVEYOR SLAPPER ROLLER	1	
10	D11860000		ROBOTRAC MOTOR MTB BKT TOP GUARD	1	
11	D11870000		ROBOTRAC MOTOR MTB BKT BTM GUARD	1	
12	D22570000		MOTOR MOUNTING BRACKET FOR HM1007 MOTOR	1	
13	E11380000		QE341 SIDE CONV ROLLER GUARD BRACKET	1	
14	E11390000		QE341 SIDE CONV ROLLER GUARD BRACKET OPP-HAND	1	
15	E13720000		QE440 SIDE CONV ROLLER GUARD	1	
16	E13740000		SIDE CONVEYOR BELT RETAINER 900 BELT	1	
17	E2910000	A	DS FULLTRAC SIDE CONVEYOR 22MM PIPE CLAMP	4	
18	E3880000	A	MID GRADE SIDE CONV SIDE FLAIR	2	
19	E3890000		QE340 SIDE CONVEYOR SIDE FLAIR SUPPORT	4	
20	E7380000		QE440 MID GRADE SIDE CONVEYOR HEAD DRUM	1	
21	E7400000		QE440 980 WIDE SPOKE TAIL DRUM	1	
22	E7410000		QE440 MID GRADE SIDE CONVEYOR FEEDBOOT CLAMP L/H	1	
23	E7420000		QE440 MID GRADE SIDE CONVEYOR FEEDBOOT CLAMP R/H	1	
24	E7520000	A	QE440 SIDE CONVEYOR RETURN ROLLER/STOWAGE L/H BRK	1	
25	E7530000	B	QE440 SIDE CONVEYOR RETURN ROLLER/STOWAGE R/H BRK	1	
26	E7590000	A	QE440 SIDE CONVEYOR TAIL DRUM ADJUSTER INNER	2	
27	E7600000		QE440 SIDE CONVEYOR TAIL DRUM ADJUSTER OUTER	2	
28	E7690000	B	QE440 SIDE CONVEYOR TELE-LEG LOCK	2	
29	E7710000	F	QE440 MID GRADE SIDE CONVEYOR BASE SECTION	1	
30	E7720000	B	QE440 MID GRADE SIDE CONVEYOR FEEDBOOT ASSY	1	
31	E7730000	K	QE440 MID GRADE SIDE CONVEYOR MID SECTION	1	
32	E7740000	D	QE440 MID GRADE SIDE CONVEYOR TOP SECTION	1	
33	E7750000		900 WIDE BELT PLAIN RETURN ROLLER GUARD	1	
34	E7760000	B	QE440 MID GRADE SIDE CONVEYOR LEG BASE ASSY	1	
35	E7770000		QE440 MID GRADE SIDE CONVEYOR OUTER TELE LEG	2	
36	E7790000	A	QE440 MID GRADE SIDE CONVEYOR TELE-LEG INNER	2	
37	E8000000	A	QE440 MID GRADE SIDE CONVEYOR FEEDBOOT SUPPORT R/H	1	
38	E8010000	A	QE440 MID GRADE SIDE CONVEYOR FEEDBOOT SUPPORT L/H	1	
39	E8020000		QE440 MID GRADE SIDE CONVEYOR FEEDBOOT SUPPORT COVER	4	
40	E8120000		QE440 SIDE CON STEEL PIPE DETAIL	1	
41	E8130000		QE440 SIDE CONVEYOR STEEL PIPE	1	

Item	Part No	Rev	Description	Qty	Remarks
42	E8140000		QE440 MID GRADE SIDE CONVEYOR TAIL DRUM GUARD	1	
43	E8150000		QE440 MID GRADE SIDE CONVEYOR TAIL DRUM GUARD COVER	1	
44	E8310000	B	QE440 SIDE CONV UNDER SIDE BELT RETAINER	1	
45	E8470000		CEMEX QE440 SIDE CONVEYOR HEAD DRUM BTM L/H NIP GUARD	1	
46	E8480000		CEMEX QE440 SIDE CONVEYOR HEAD DRUM BTM R/H NIP GUARD	1	
47	E8510000	A	CEMEX QE440 SIDE CONVEYOR HEAD DRUM TOP L/H NIP GUARD	1	
48	E8520000	A	CEMEX QE440 SIDE CONVEYOR HEAD DRUM TOP R/H NIP GUARD	1	
49	E8600000		QE440 SIDE CONV RAM PIPE GUARD	2	
50	E8640000		QE440 MID GRADE SIDE CONVEYOR FEEDBOOT REAR LINER	1	
51	FAB24X160		M24X160 Hex-Head Bolt	2	
52	FAB24X190(10.9)		M24X190 10.9 Grade Hex Head Bolt	2	
53	FAN12		M12 Hex Nut	2	
54	FAN12N		M12 NYLOCK NUT	1	
55	FAN16N		M16 NYLOCK NUT	4	
56	FAN24		M24 Hex Nut	1	
57	FAN24SC		M24 STUD CONNECTOR	1	
58	FAS12X30		M12 X 30 SET SCREW	2	
59	FAS12X70		Hex-Head Bolt	1	
60	FAS16X110		Hex-Head Bolt	8	
61	FAW12FA		Bright Washer	2	
62	FAW16A		M16 (FORM A) WASHER	20	
63	HAG001801		1/8" BULKHEAD C/W GREASE NIPPLE	4	
64	HM1007		CHARLYNN 4K395 AAA 006 MOTOR	1	
65	HR2536		QE440 SIDE CONVEYOR SIDE FOLD RAM	1	
66	HR2538		QE440 MID GRADE SIDE CONVEYOR TELE LEG RAM	2	
67	PN1132		TROMMEL SIDE CONV PIVOT PIN	2	
68	PN1213	B	M20 TENSIONING BOLT ASSEMBLY	2	
69	PN1214	A	QE440 SIDE CONVEYOR SIDE FOLD PIVOT PIN	1	
70	PN1222	B	DIAMETER 20 x 150mm LG PIN	2	
71	PY1057		QE440 MID GRADE PLOUGH POLY SCRAPER	1	
72	RU1346		QE440 MID GRADE SIDE CONVEYOR FEEDBOOT REAR RUBBER	1	
73	RU1485		QE440 SIDE CONV FEEDBOT SEALING RUBBER	2	
74	SE0033		900 WIDE 40DEG ROLLER SET	10	
75	T10070000	A	DRUM DRIVE TORQUE ARM	1	

11.27 Roller set 40°

SE0033 - REV 0

SE0033 - Rev 0

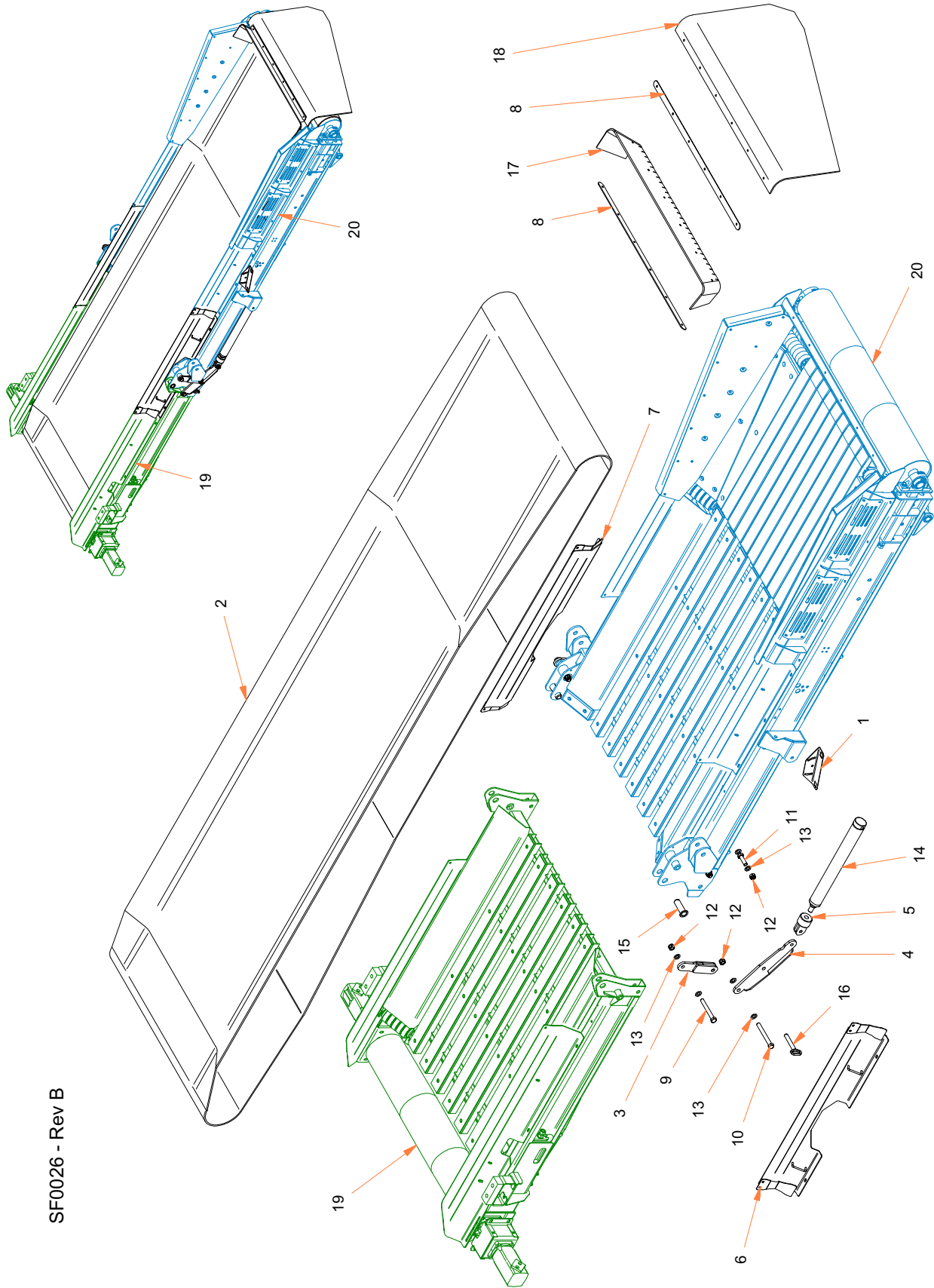


Item	Part No	Rev	Description	Qty	Remarks
1	CR9061		Sandvik Main Conv Centre Roller(Old No.cr1027)	1	
2	CR9048		Sandvik Main Conv Wing Roll(Old No.cr1003)	2	
3	CR1006		40° Roller Bracket	2	



11.28 Oversize, end conveyor assembly

SF0026 - REV B

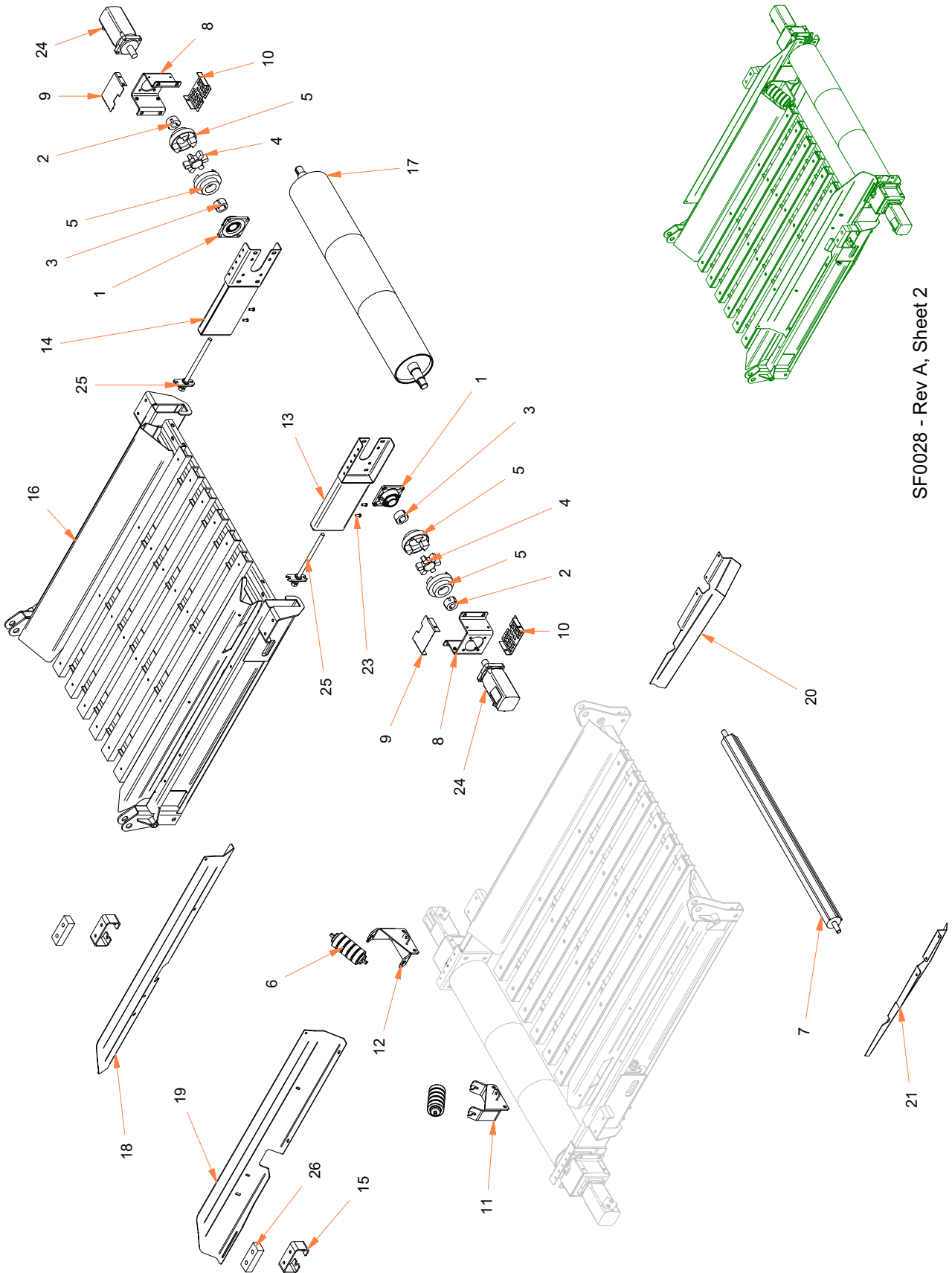


SF0026 - Rev B

Item	Part No	Rev	Description	Qty	Remarks
1	A21200000	A	BOLT ON LADDER BRACKET	2	
2	CB134501600ch		QE440 OVERSIZE BELT EP500/3 5+1.5	1	
3	D10440000		4500 CONVEYOR SMALL ROTATION LINKAGE ARM	2	
4	D10450000		4500 CONVEYOR LARGE ROTATION LINKAGE ARM	2	
5	D10460000		4500 FOLDING RAM CLEVIS	2	
6	F5780000		QE440 OVERSIZE CONVEYOR EXTENDED REMOVABLE FLAIR	1	
7	F5860000		QE440 OVERSIZE CONVEYOR R/H EXTENDED REMOVABLE FLAIR	1	
8	F5910000		QE440 1600 WIDE OVERSIZE CONV FEEDBOOT RUBBER CLAMP	2	
9	FAB24X190(10.9)		M24X190 10.9 Grade Hex Head Bolt	2	
10	FAB24X210(10.9)		M24X210 10.9 Grade Hex-Head Bolt	2	
11	FAB24X80X40(10.9)		M24X80 10.9 GRADE HEX HEAD BOLT, 40mm SHANK	4	
12	FAN24N		M24 NYLOC NUT	8	
13	FAW24(10.9)		M24 HARDENED WASHER 10.9	16	
14	HR1087		D/A HYD. RAM 835 CLOSED CENTERS 630 STROKE	2	
15	PN1130	A	SCREEN MOBILE CONVEYOR PIVOT PIN	2	
16	PN1157	A	E7 OVERSIZE CONV LOCK OUT PIN	2	
17	RU1317	A	QE440 1600 WIDE O/SIZE CONV F/BOOT BACK INTERNAL RUBBER	1	
18	RU1319		QE440 1600 WIDE OVERSIZE CONV MID GRADE DISCHARGE RUBBER	1	
19	SF0028	A	QE440 P2 OVERSIZE CONVEYOR TOP ASSY	1	SF0028
20	SF0027	B	QE440 P2 OVERSIZE CONVEYOR BTM ASSY	1	SF0027

11.29 Upper section - oversize conveyor

SF0028 - REV A



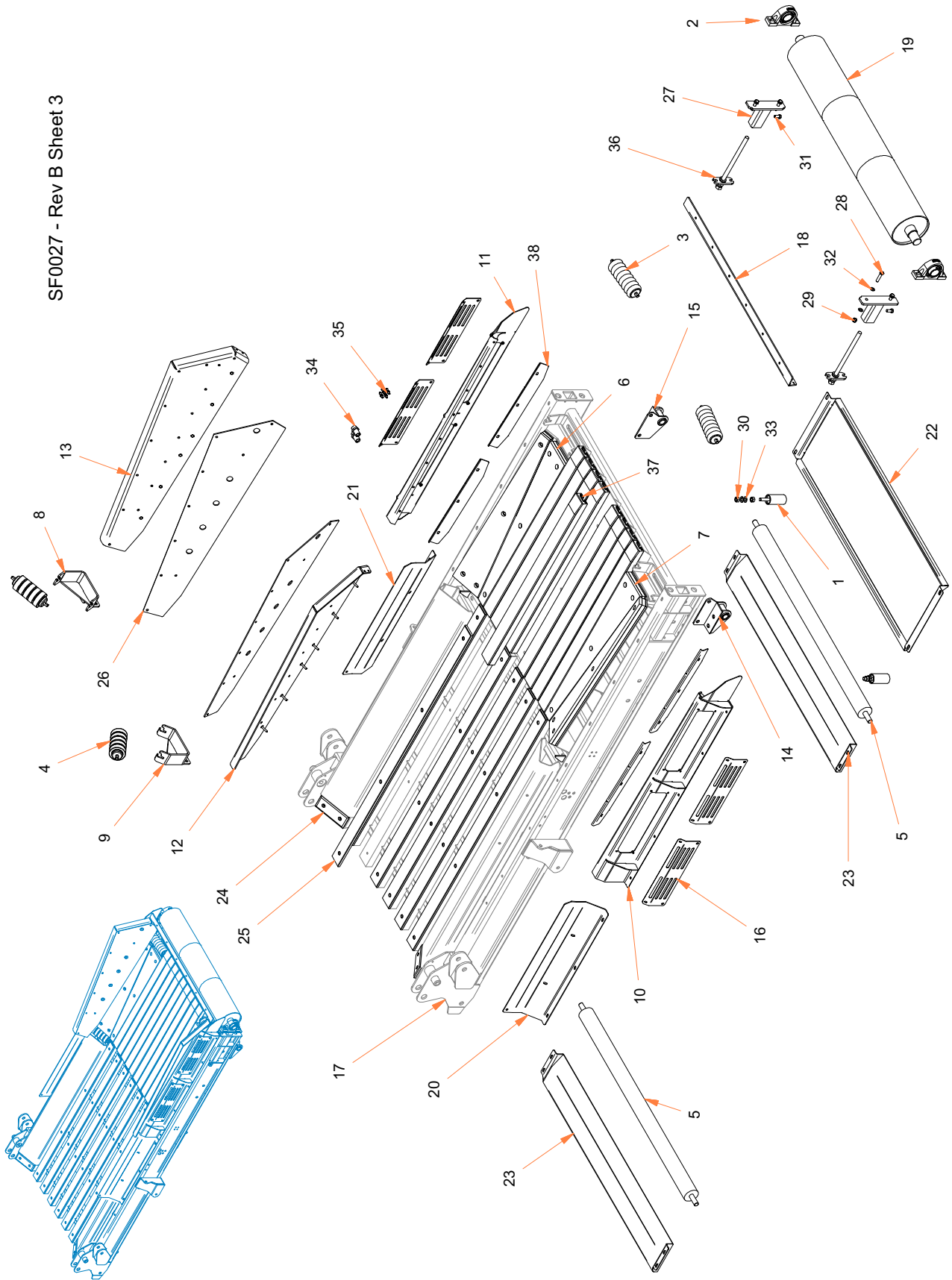
SF0028 - Rev A, Sheet 2

Item	Part No	Rev	Description	Qty	Remarks
1	BT2010		Fy60tr, Y Flange Bearing, 1/8"Bsp Grease Port	2	
2	BT5009		2517/40 Taper Lock Bush	2	
3	BT5010		2517/50 Taper Lock Bush	2	
4	BT6516		Tx180 Drive Coupling Insert	2	
5	BT8501		Tx180f Drive Coupling	4	
6	CR1058	B	C10 Mconv Wing Impact Roller	2	
7	CR9042		1700 Wide Conveyor Slapper Roller	1	
8	D15610000	A	E7 Fines Motor Mtg Bracket	2	
9	D15620000		E7 Fines Motor Mtg Bracket Top Cover	2	
10	D15630000		E7 Fines Motor Mtg Bracket Bottom Cover	2	
11	F4140000	A	Oversize - Wing Roller Support	1	
12	F4150000	A	Oversize - Wing Roller Support	1	
13	F5300000	B	Qe440 Oversize Conveyor Head Drum R/h Slider	1	
14	F5310000	B	Qe440 Oversize Conveyor Head Drum L/h Slider	1	
15	F5610000	A	Qe440 Oversize Conveyor Transport Support Stool	2	
16	F5700000	D	Qe440 Oversize Conveyor Top Frame Assembly	1	
17	F5710000		Twin Drive 1600 Wide Belt Conveyor Drive Drum	1	
18	F5760000	A	Qe440 Oversize Conveyor Top Section R/h Flair	1	
19	F5770000	A	Qe440 Oversize Conveyor Top Section L/h Flair	1	
20	F5810000		Qe440 Oversize Conveyor Slapper R/h Nip Guard	1	
21	F5820000		Cemex Qe440 Oversize Conveyor Head Drum L/h Nip Guard	1	
22	F5880000		Low Fiction Liner 100x2050 Lg	6	
23	FAS12X30		M12 X 30 Set Screw	4	
24	HM1016		Hydraulic Motor - Eaton - Charlynn 6k490 Aaa 06	2	
25	PN1223	B	Qe440 Oversize Conveyor Tail Drum Adjuster Bolt	2	
26	PY1021		Poly Shock Absorber	2	

11.30 Lower section - oversize conveyor

SF0027 - REV B

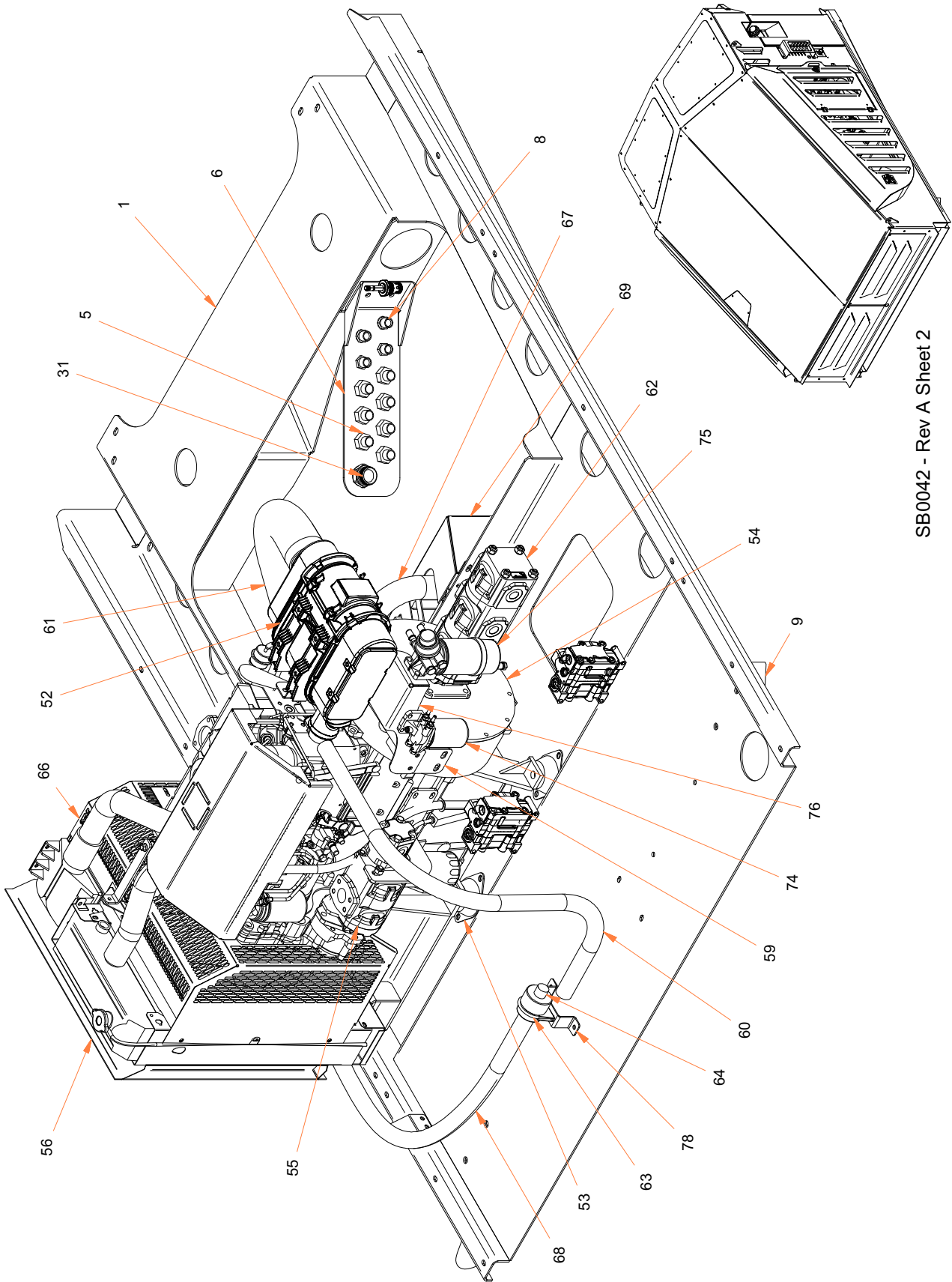
SF0027 - Rev B Sheet 3

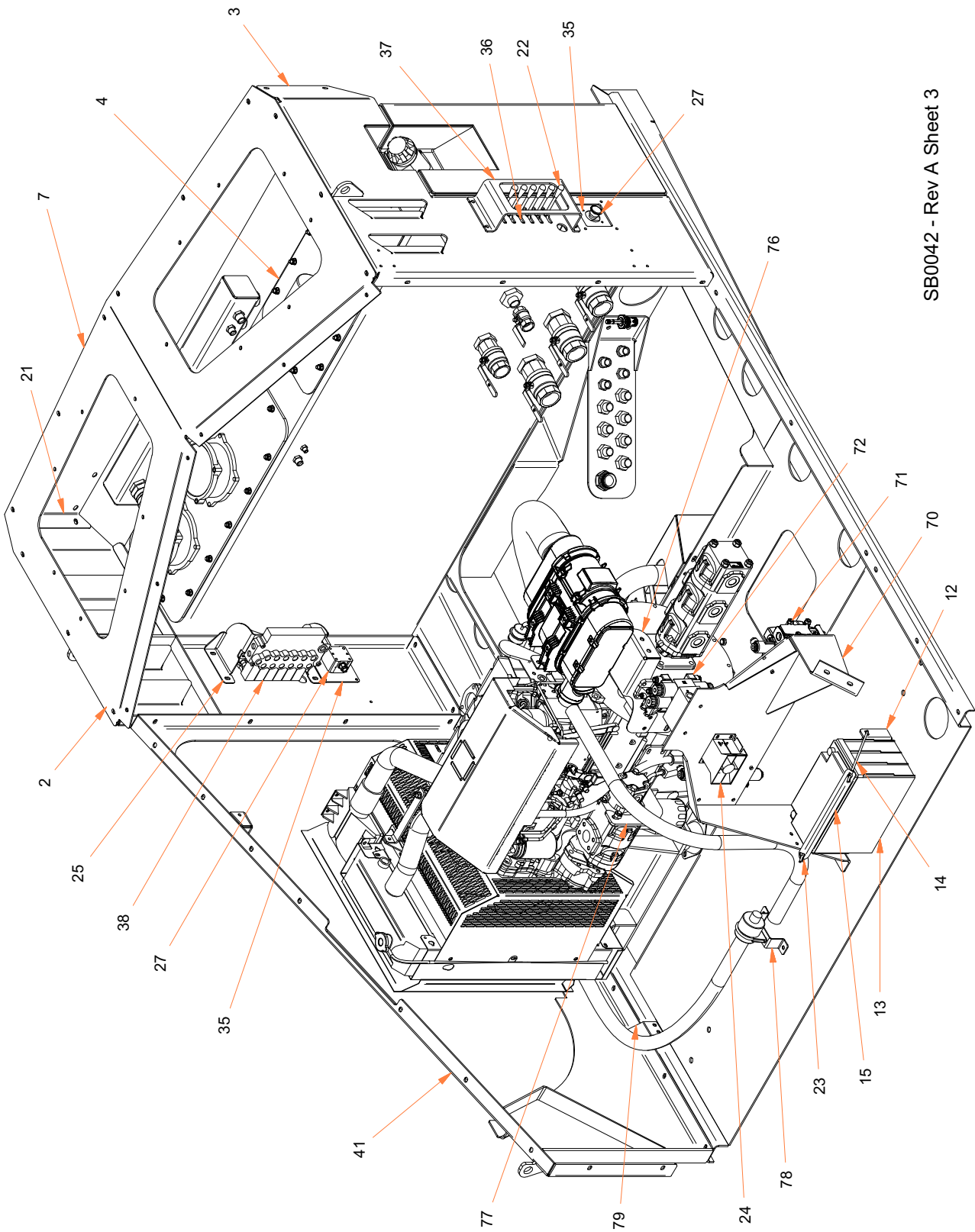


Item	Part No	Rev	Description	Qty	Remarks
1	19-03-0127		Tracking Roller - Threaded Shaft 64mm X 127mm	2	
2	BT1010		Bearing Plummer Sy60tr, 1/8"Bsp Grease Port	2	
3	CR1043		Outer Impact Roller (Ø102 X 272mm)	2	
4	CR1058	B	C10 Mconv Wing Impact Roller	2	
5	CR9041		1700 Wide Conveyor Plain Return Roller	2	
6	D7160000		Megabite Conveyor Wing Impact Bar	2	
7	D7230000		Outer Lh Impact Bar	2	
8	F4140000	A	Oversize - Wing Roller Support	1	
9	F4150000	A	Oversize - Wing Roller Support	1	
10	F5420000		Qe440 Oversize Conveyor Feedboot L/h Support	1	
11	F5430000		Qe440 Oversize Conveyor Feedboot R/h Support	1	
12	F5440000	C	Qe440 Oversize Conveyor Feedboot L/h Side	1	
13	F5450000	C	Qe440 Oversize Conveyor Feedboot R/h Side	1	
14	F5460000	B	Qe440 Oversize Conveyor Base L/h Pivot Mount	1	
15	F5470000	B	Qe440 Oversize Conveyor Base R/h Pivot Mount	1	
16	F5550000		Qe440 Oversize Conveyor Feedboot Support Cover	4	
17	F5690000	D	Qe440 P2 Oversize Conveyor Btm Frame Assembly	1	
18	F5720000		Qe440 Oversize Conveyor Feedboot Back Plate	1	
19	F5730000		1600 Wide Belt Conveyor Tail Drum Dia. 273	1	
20	F5740000	A	Qe440 Oversize Conveyor Btm Section L/h Flair	1	
21	F5750000		Qe440 Oversize Conveyor Btm Section R/h Flair	1	
22	F5830000		Qe440 1600 Wide Oversize Conv Belt Guard	1	
23	F5840000		Qe440 1600 Wide Oversize Conv Return Roller Guard	2	
24	F5850000		Low Fiction Liner 100x240 Lg	2	
25	F5870000		Low Fiction Liner 100x2150 Lg	6	
26	F5920000	A	Qe440 1600 Wide Oversize Conveyor Feedboot Wear Liner	2	
27	F5970000		Qe440 Oversize Conveyor Tail Drum Adjuster	2	
28	FAB16X70		M16 X 70 Hex Head	4	
29	FAN16N(10.9)		M16 Nylock Nut 10.9 Grade	4	
30	FAN20		M20 Hex Nut	4	
31	FAS16X35		Hex-head Bolt	2	
32	FAW16A		M16 (Form A) Washer	8	
33	FAW20A		Bright Washer	4	
34	HA1000072		1" Bsp Extended Bulkhead	2	
35	HAG001801		1/8" Bulkhead C/w Grease Nipple	4	
36	PN1223	B	Qe440 Oversize Conveyor Tail Drum Adjuster Bolt	2	
37	PY1030		Impact Bar 55mm Deep X 1500mm Long	9	
38	T6280000	A	Trommel Tail Conv Feedboot Rubber Clamp	4	

11.31 Power pack assembly

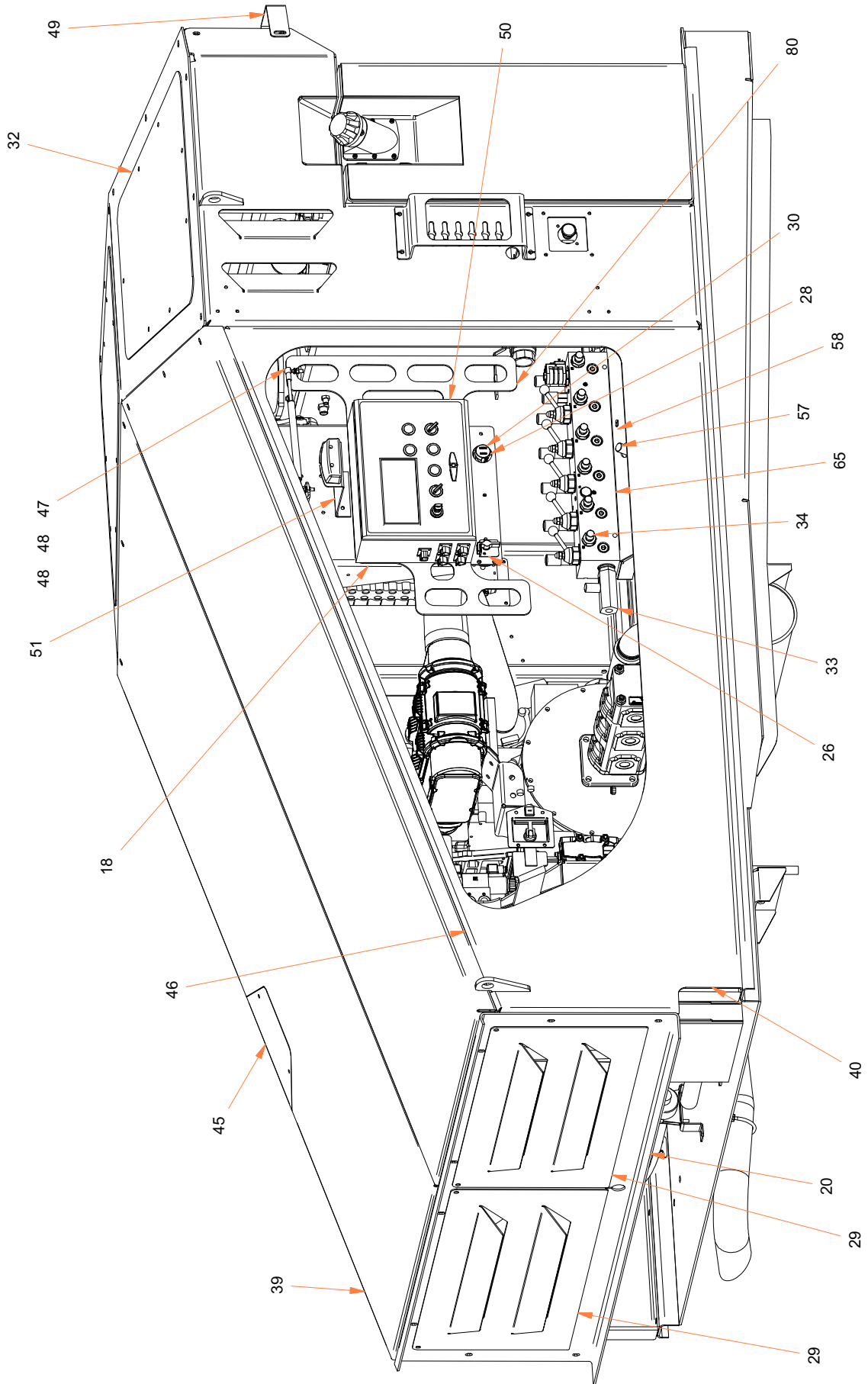
SB0042 - REV A

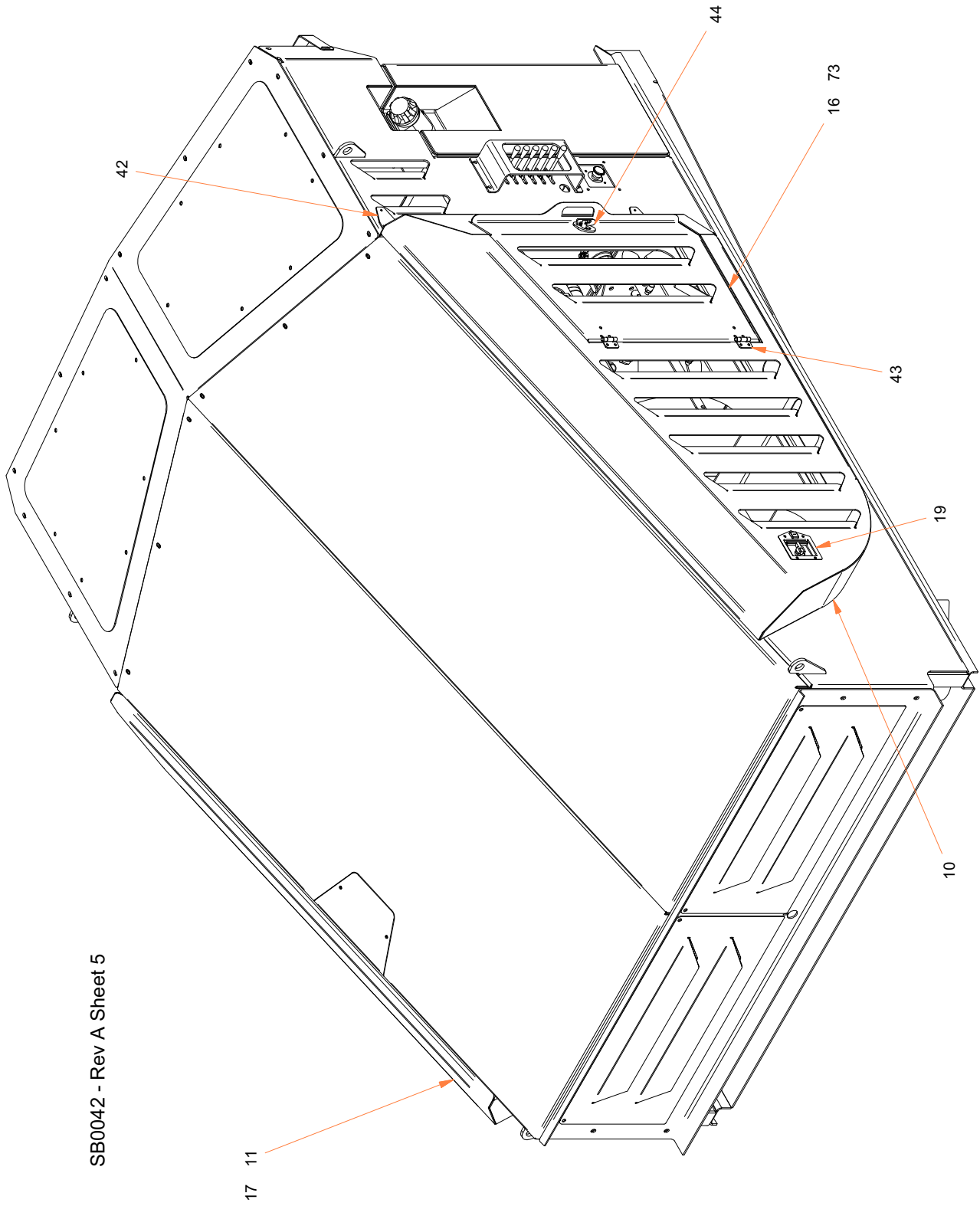




SB0042 - Rev A Sheet 3

SB0042 Rev A Sheet 4





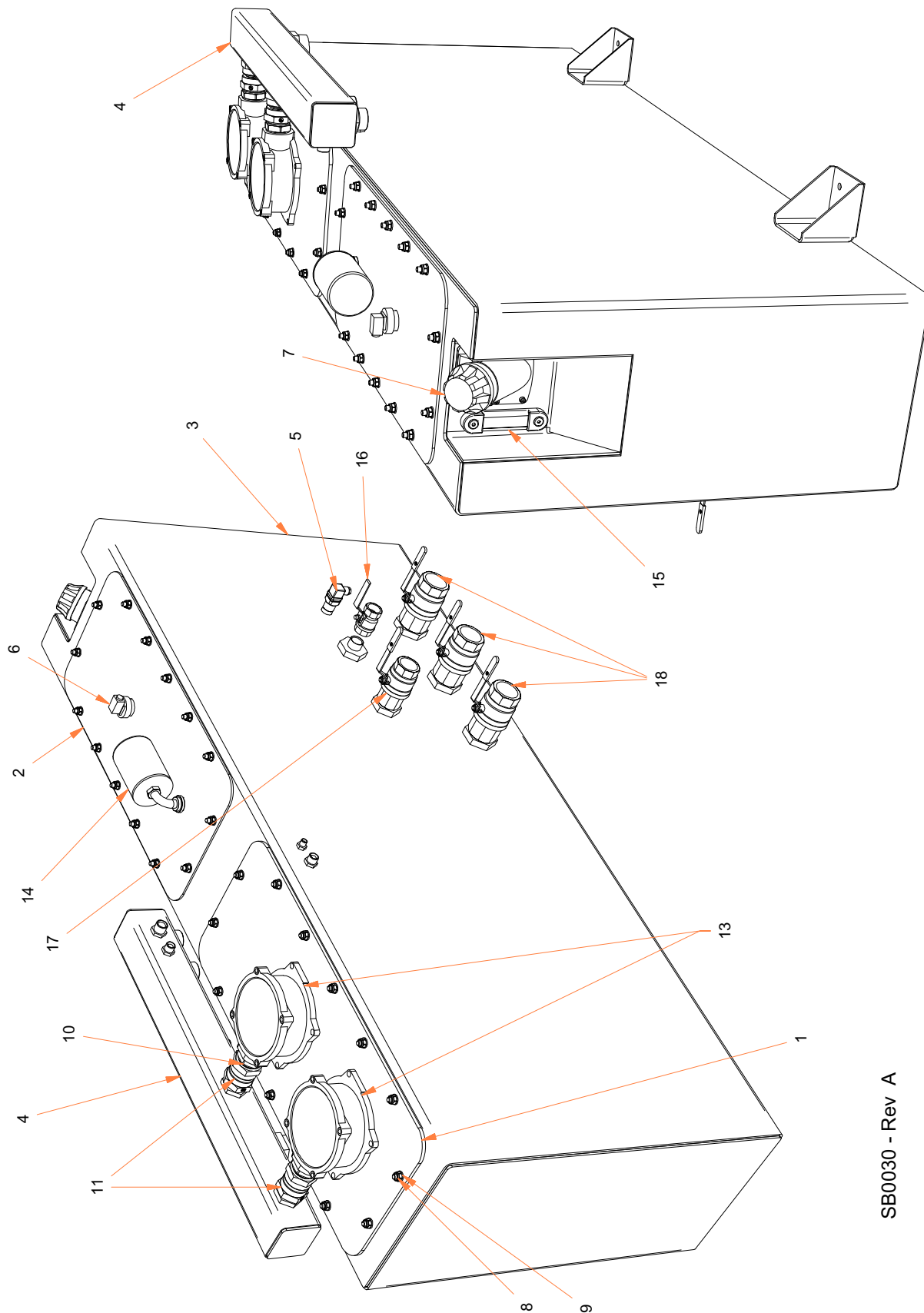
SB0042 - Rev A Sheet 5

Item	Part No	Rev	Description	Qty	Remarks
1	B14510000		Qe440 Cat Engine Powerpack Base	1	
2	B15670000		Qe440 Pp R/h Side Panel	1	
3	B15660000		Qe440 Pp L/h Side Panel	1	
4			Qe440 Hydraulic Tank Assembly	1	See SB0030 - REV A
5	HA1000034		1" M/m	7	
6	B11310000	B	Qe440 Powerpack Main Bulkhead	1	
7	B11320000	A	Qe440 P2 Pp Canopy	1	
8	HA03400044		3/4" Bsp Male/male Adaptor	4	
9	A20530000	A	Powerpack To Chassis Mounting Bracket	2	
10	B11380000	C	Qe440 Pp L/h Door	1	
11	B11390000	B	Qe440 Pp R/h Door	1	
12	B7240000	B	Finger Screen Powerpack Battery Bracket	1	
13	EL3022		12v Heavy Duty Battery	1	
14	FAB06X300H		Battery Hook Bolt	2	
15	B2160000	A	Universal Power Pack Battery Retaining Brk	1	
16	B11400000	C	Qe440 Pp R/h Control Door Assembly	1	
17	B11410000	A	Qe440 Engine Radiator Mesh Guard	1	
18	B11530000	B	Qe440 Pp Electrical Box Mount Plt	1	
19	12-45-0110		Dish Recessed Drop 't' Handle	2	
20	B11430000	A	Qe440 Rear Power Pack Panel	1	
21	B11540000	A	Qe440 Rear Power Pack Panel	1	
22	HV8558		Spool Valve Handle - 150 Long	12	
23	FAW06W		M6 Wing Nut	2	
24	EL2159		Screener Tracking Alarm	1	
25	B11630000	A	Qe440 Pp R/h 5 Lever Spool Bracket	2	
26	EL9641		Isolator Switch Assy	1	
27	EL2063		Emergency Stop	2	
28	B0070000	A	5000 Webtec Mounting Bracket	1	
29	B11560000		Qe440 Front Door	2	
30	HV2003		95 Lt/min Flow Diverter	1	
31	HA1000017		1 1/2" Bsp M/m Adaptor Short	3	
32	B11660000		Qe440 Pp Top Service Panel	2	
33	HV2006		Webtec Fcv 55 K J Flow Control Valve	1	
34	HV8501		1/4" Test Point	6	
35	B11800000	A	Qe440 Pp Emergency Stop Mounting Plt	2	
36	HV1049		6 Lever Spool Valve	1	
37	B11880000		5/6 Lever Valve Gear Protection Plate	2	
38	HV1040		6 Lever Spool Valve (S/a Det,d/a,d/a,s/a,d/a,d/a) With Relief	1	
39	B15750000	A	Qe440 Pp R/h Canopy Top	1	
40	B15680000	B	Qe440 Pp L/h Lge Side Panel	1	
41	B15690000		Qe440 Pp R/h Lge Side Panel	1	
42	FD2102		Hinge	4	

Item	Part No	Rev	Description	Qty	Remarks
43	FD2105		Hinge 3 + 2 Hole	2	
44	FD3114		M12 Anti Loose Fastener	1	
45	B11910000		Qe440 Pp Rad Canopy Cover Detail	1	
46	B15760000	A	Qe440 Pp L/h Canopy Top	1	
47	FD1509		Ball End Joint	4	
48	FD1004		Gas Strut	2	
49	B11980000		Qe440 Powerpack Feeder Hose Tie Bracket	1	
50	EL9709		Qe440 Powerpack Electrical Kit - Production Machines	1	
51	B12040000		Qe440 Pp Internal Light Bracket	1	
52	EN9633		Cat 4.4 Heavy Duty Air Cleaner	1	
53	12-05-0001		Cat 4.4 Engine Mount	4	
54	B12470000		Pump Mounting Plate Sae-3 - Sae "C" 4 Bolt	1	
55	HP8853		23.0 + 28.5 + 14.6 Cc/rev (X1a5-5-1pn-181713-1a)	1	
56	B14520000		Cat Radiator Hood	1	
57	HV2006-01		Webtec Fcv 55 K J Flow Control Valve	1	
58	B5420000		Webtec Lug	1	
59	B15360000	A	Air Filter Mounting Plate	1	
60	B15380000		Qe440 Scavenger Line Section 1	1	
61	B15370000		Air Induction Hose	1	
62	HP8822		Triple Pump David Brown (41.0 + 41.0 + 36.0 Cc/rev)	1	
63	15-19-2052		U-bolt 70mm	1	
64	15-22-0034		Tier Iii Air Cleaner Check Valve	1	
65	HV8593		6 Station High Flow Multi Function Block	1	
66	EN10570		Cat C4.4 Electronic Engine	1	
67		A	Qe440 Exhaust System	1	See SB0044 - REV A
68	B15390000		Qe440 Scavenger Line Section 2	1	
69	B15300000		Qe440 Heat Shield	1	
70	B14500000	C	Qe440 Pp Valve Plt Fab	1	
71	HV1045		Hc-d6 Single Spool Dir (Hc-d6/1) P/no 9787	2	
72	HV8572		2 Station Direction Control	1	
73	B11950000		Qe440 Pp Door Lock	1	
74	EN9591 INTERMEDIATE FILTER		Cat 4.4 96kw Intermediate Fuel Filter	1	
75	EN9591 PRIMARY FILTER		Cat 4.4 96kw Primary Fuel Filter	1	
76	B16090000		Qe440 Fuel Filter Bracket	1	
77	B16560000	A	Qe440 Pump Support Bracket	1	
78	B16700000		Qe440 Valve Mounting Bracket	1	
79	B16710000		Qe440 Scavenger Line Bracket	2	
80	B18220000		Qe440 Wire Bracket	1	

11.32 Hydraulic tank assembly

SB0030 - REV A

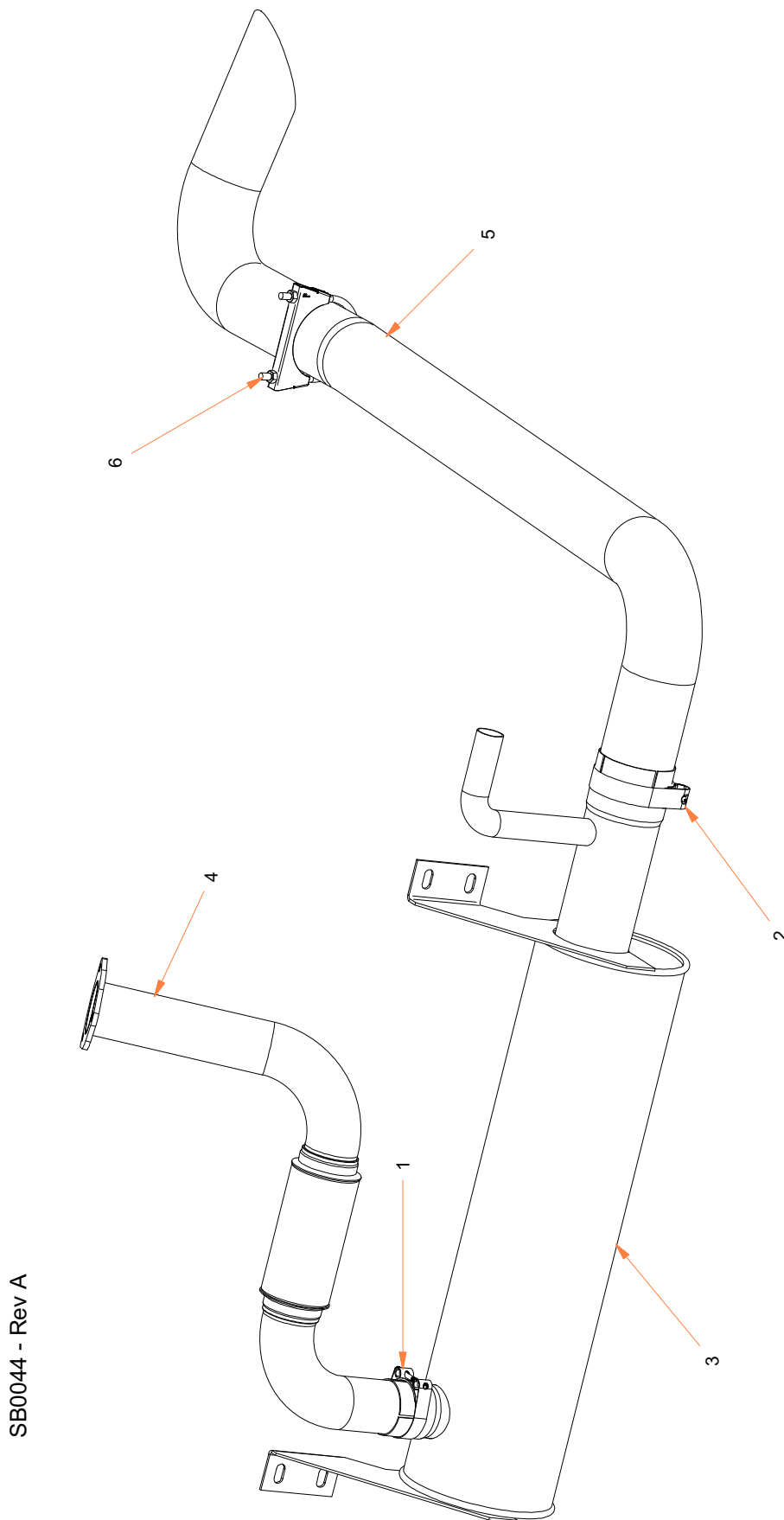


SB0030 - Rev A

Item	Part No	Rev	Description	Qty	Remarks
1	B11240000	A	Qe440 Powerpack Hyd. Oil Tank Cover	1	
2	B11280000	A	Qe440 Hyd. Inspection Plt 2	1	
3	B11290000	C	Qe440 Hydraulic Tank	1	
4	B11300000	A	Qe440 Return Manifold	1	
5	EL9652		Temperature Transducer	1	
6	EL9701		Mp Filtri Low Level Switch	1	
7	EN9514		Mp Filtri Nylon Filler Neck	1	
8	FAN10N		M10 Nylock Nut	28	
9	FAW10A		M10 Bright Washer	28	
10	HA1000017		1 1/2" Bsp M/m Adaptor Short	2	
11	HA1120009		1 1/2" F/f Swivel Adaptor	2	
12	HF1017		Filter Suction Str1004sg1m90-2	5	Not illustrated
13	HF1018		Filter Tank Top Return Line Mpf4003ag2a10hbvr	2	
14	HF4003		Spin On Air Breather	1	
15	HG1002		5" Level Gauge	1	
16	HV8007		1" Bsp Low Pressure Ball Valve	1	
17	HV8009		1 1/2" Bsp Low Pressure Ball Valve	1	
18	HV8577		2" Bsp Low Pressure Ball Valve	3	

11.33 Exhaust system

SB0044 - REV A

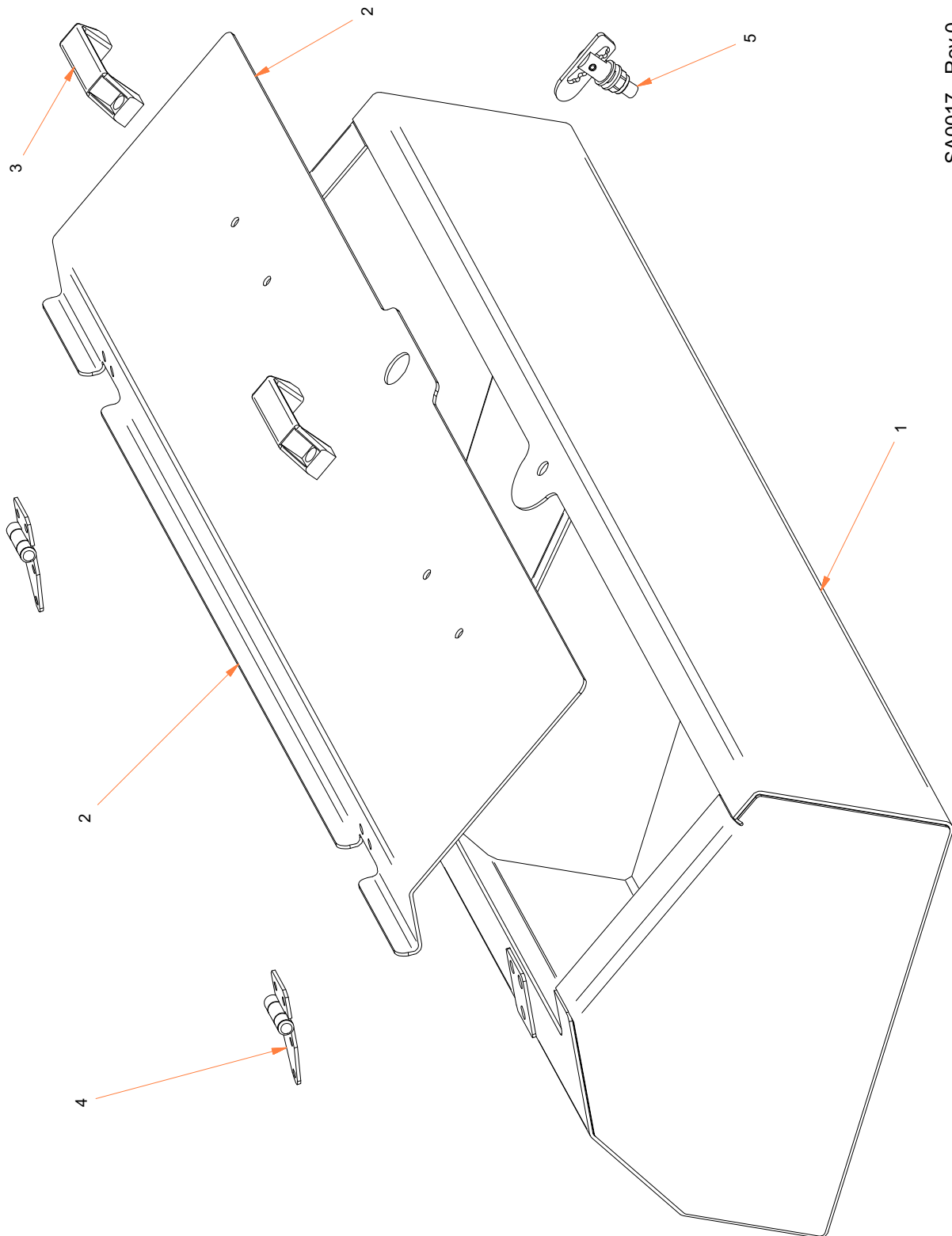


SB0044 - Rev A

Item	Part No.	Rev	Description	Qty	Remarks
1	B14110000		2.5" Band Clamp	1	
2	B14130000		3.5" Band Clamp	1	
3	B15970000		Qe440 Cat Engine Exhaust Silencer	1	
4	B15980000		Qe440 Exhaust Inlet	1	
5	B15990000	A	Qe440 Exhaust Outlet	1	
6	EN9512		3 5/8" (92mm) Exhaust Clamp	1	

11.34 Tool box

SA0017 REV 0

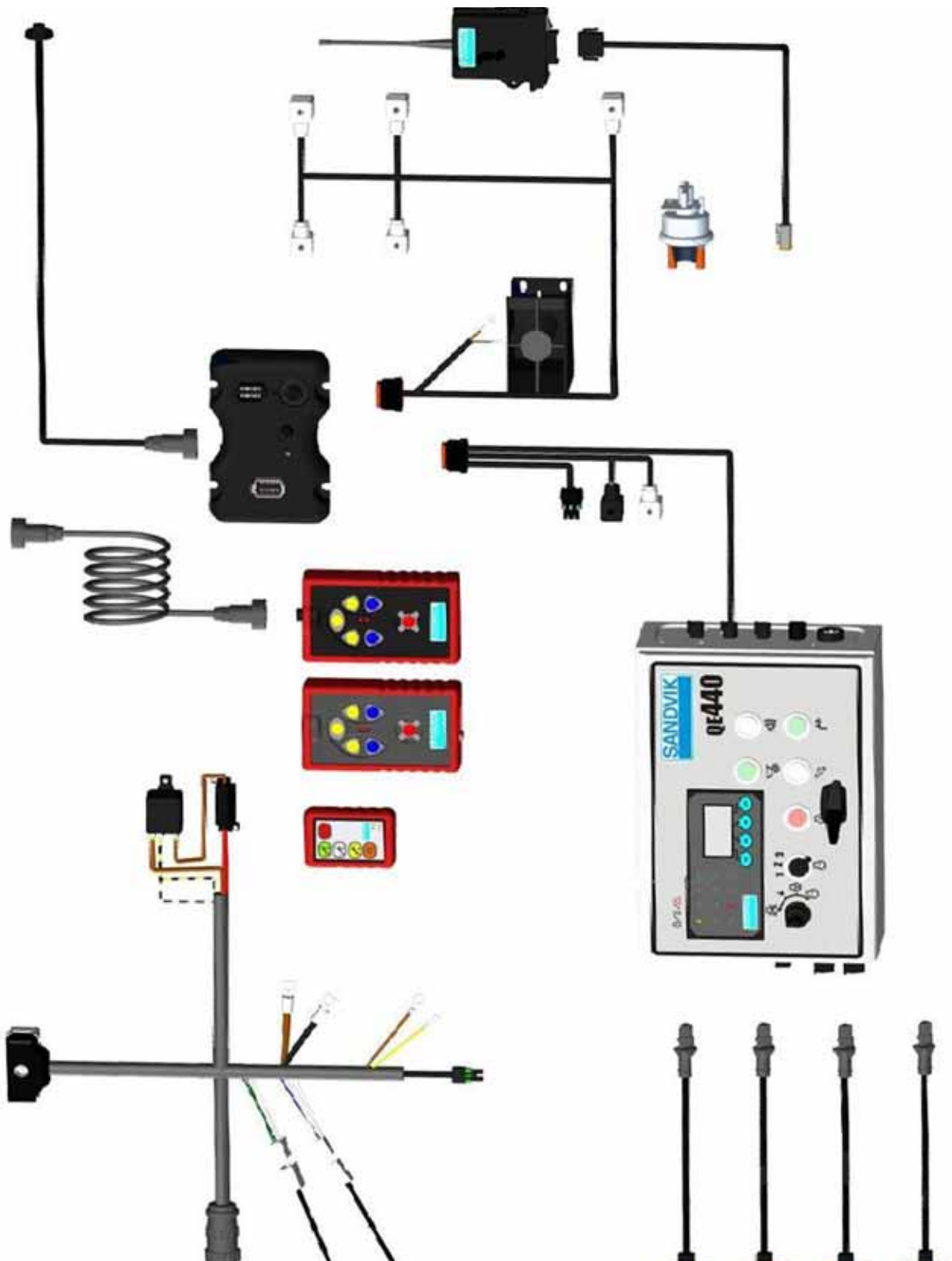


SA0017 - Rev 0

Item	Part No.	Rev	Description	Qty	Remarks
1	A20360000		Qe440 Toolbox Assy	1	
2	A20370000		Qe440 Toolbox Lid	1	
3	FD2005		Door Handle	2	
4	FD2105		Hinge 3 + 2 Hole	2	
5	FD3114		M12 Anti Loose Fastener	1	

11.35 Electrical items

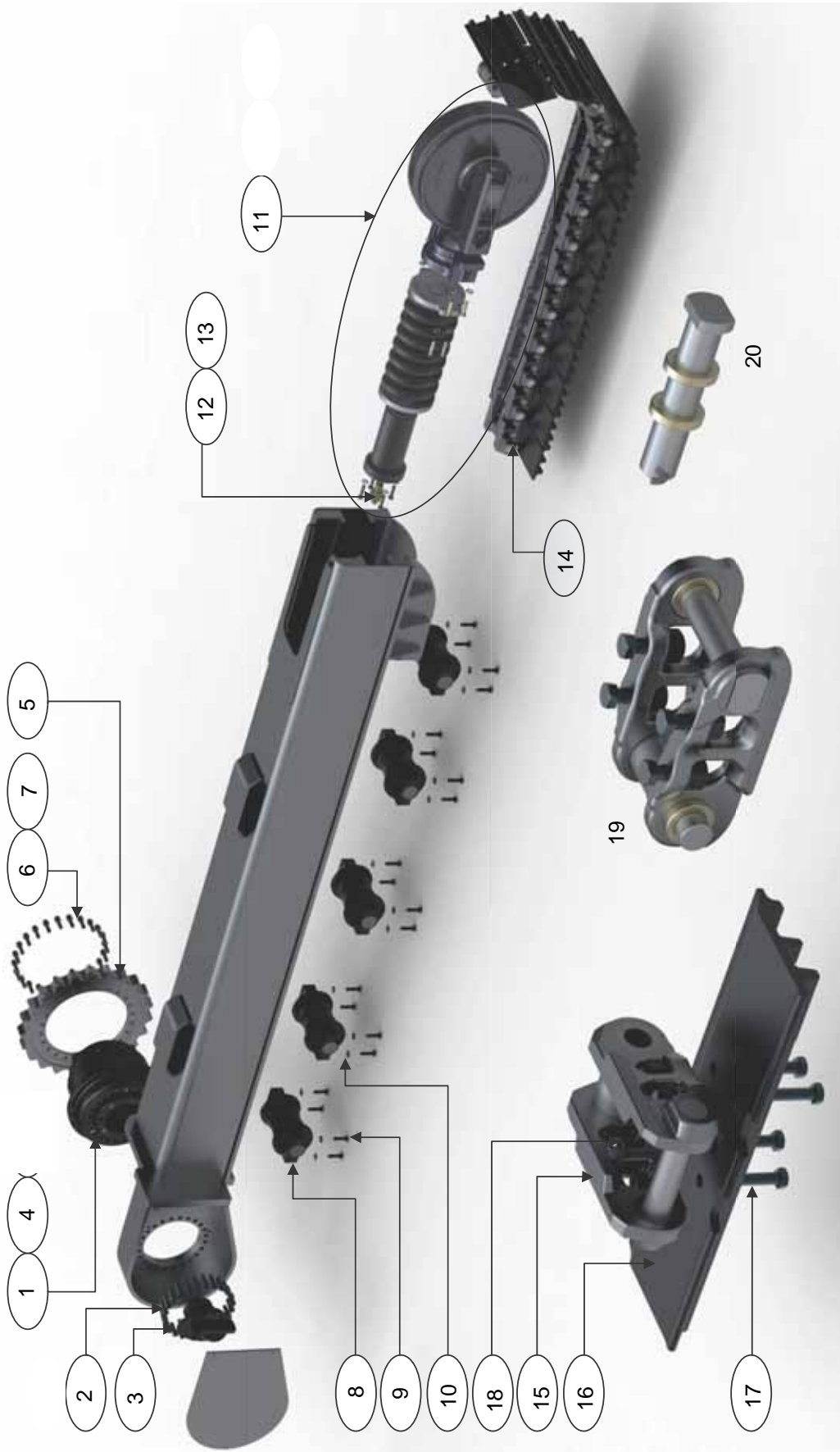
EL9709



Part No	Description	Remarks
EL2069	Manual Handset, ,	
EL2070	7.5 M Umbilical Lead, ,	
EL2159	Screener Tracking Alarm, ,	
EL4420	Feed On/off Radio Control 11 Bit	
EL4421	Track Handset Radio 11 Bit, ,	
EL9614	El4429 Screener Receiver Variet To Work With Japanese Receiver,	
EL9624	Engine Display Assembly	
EL9627	Battery Leads	
EL9628	Qe440 Loom A1_a2	
EL9629	Qe440 Loom B1_b2	
EL9630	Qe440 Loom C1_c2	
EL9631	Qe440 Loom D1_d2	
EL9632	Qe440 Loom F1_f6 Solenoid Loom	
EL9633	Qe440 Loom G1_g2 Umbilical Extension	
EL9635	Qe440 Control Panel	
EL9636	Small Radio Reciever,	
EL9637	Qe440 Loom Estops E1	
EL9638	Qe440 Loom Estops E2	
EL9639	Qe440 Loom Estops E3	
EL9640	Qe440 Loom Estops E4	
EL9641	Isolator Switch Assy, Jmg - 20.00.1024,	
EL9704	Qe440 Preheat Loom	
EL9707	Small Control Panel Light - 3 Led's	

11.36 Tracks

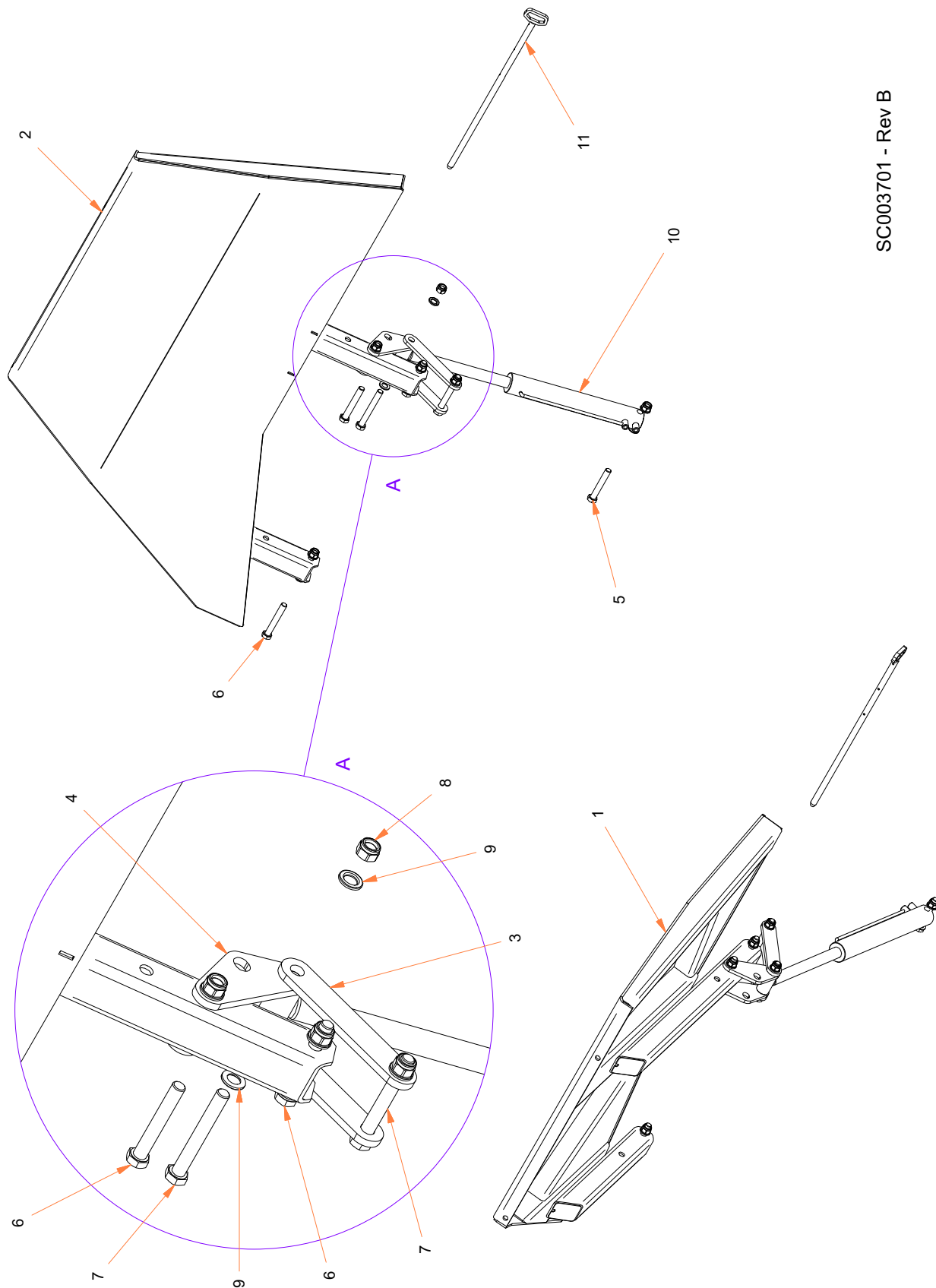
TRACK COMPONENTS



Item	Part No.	Description	Qty Per Track	Remarks
1	UC7506	Track Drive Gearbox C/w Hydraulic Motor	1	
2	UC7507	Hex Head Bolt (Gearbox To Track Frame)-torque To 687 Nm (507 lbs/ft)	20	
3	UC7508	Fixed Displacement Motor	1	
4	UC7509	Oil Fill/drain Plug	2	
5	UC7510	Drive Sprocket	1	
6	UC7507	Hex Head Bolt (Gearbox To Track Frame)-torque To 687 Nm (507 lbs/ft)	20	
7	UC7511	Spring Washer	20	
8	UC7512	Single Flanged Lower Roller	7	
9	UC7489	Hex Head Bolt (Roller To Track Frame) -torque To 314 Nm (232 lbs/ft)	28	
10	UC7490	Hardened Washer	28	
11	UC7513	Idler Recoil Tensioner	1	
12	UC7492	Tensioner Grease Fitting	1	
13	UC7493	Gasket For Grease Fitting	1	
14	UC7514	Track Group	1	
15	UC7515	Track Link Assembly	1	
16	UC7516	Track Shoe (500mm Wide Triple Grouser)	48	
17	UC7517	Track Shoe Bolt -torque To 358 Nm (264 lbs/ft)	192	
18	UC7518	Track Shoe Nut	192	
19	UC7439	Track Repair Link Kit	-	
20	UC7462	Master Pin And Collars	1	
21	UC7519	Motion Control / Brake Release Valve Block	1	
22	UC7520	A2fe90 Valve Transfer Plate	1	
23	UC7521	Socket Head Cap-screw (Valve Block/transfer Plate To Motor Flange)	8	
24	UC7522	Socket Head Cap-screw (Transfer Plate To Motor Flange)	8	

11.37 Feeder extension - Option

SC003701 - REV B

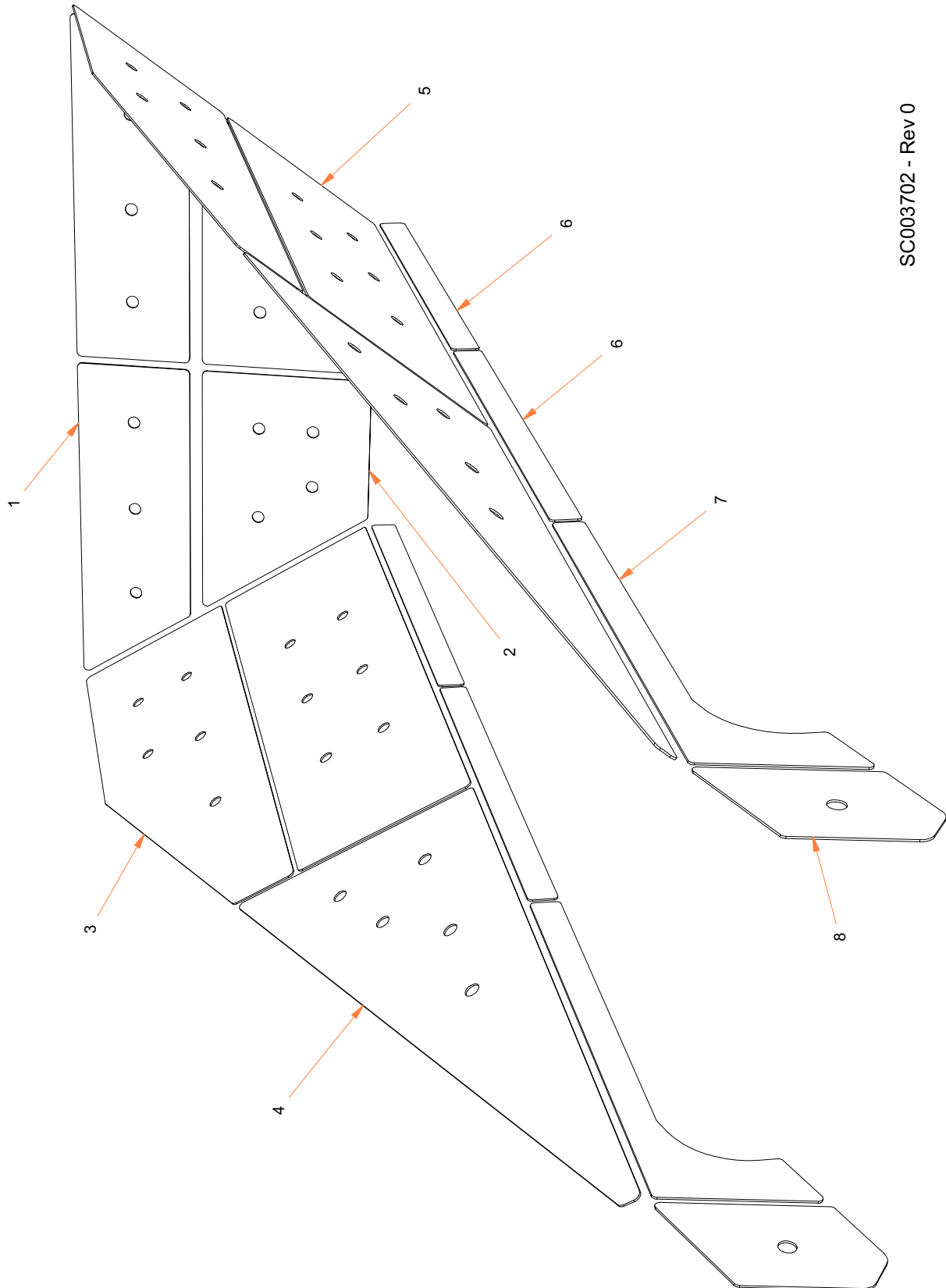


SC003701 - Rev B

Item	Part No.	Rev	Description	Qty	Remarks
1	C15720000	A	Qe440 Feeder L/h Wing Extension	1	
2	C15730000	A	Qe440 Feeder R/h Wing Extension	1	
3	C15740000		Qe440 Feeder Wing Extension Lift Link 1	4	
4	C15750000		Qe440 Feeder Wing Extension Lift Link 2	4	
5	FAB20X130(10.9)		M20x130 Hex-head Bolt	2	
6	FAB20X140(10.9)		M20 X 140 Hex-head Bolt	6	
7	FAB20X160(10.9)		M20x160(10.9) Bolt	4	
8	FAN20N(10.9)		M20 Nylock Nut 10.9 Grade	12	
9	FAW20(10.9)		M20 Washer 10.9 Grade	24	
10	HR2545		Qe440 Wing Extension Lift Ram	2	
11	PN1231	B	Qe440 Feeder Wing Extension Lock Pin	2	

11.38 Hopper liners - Option

SC003702 - REV 0

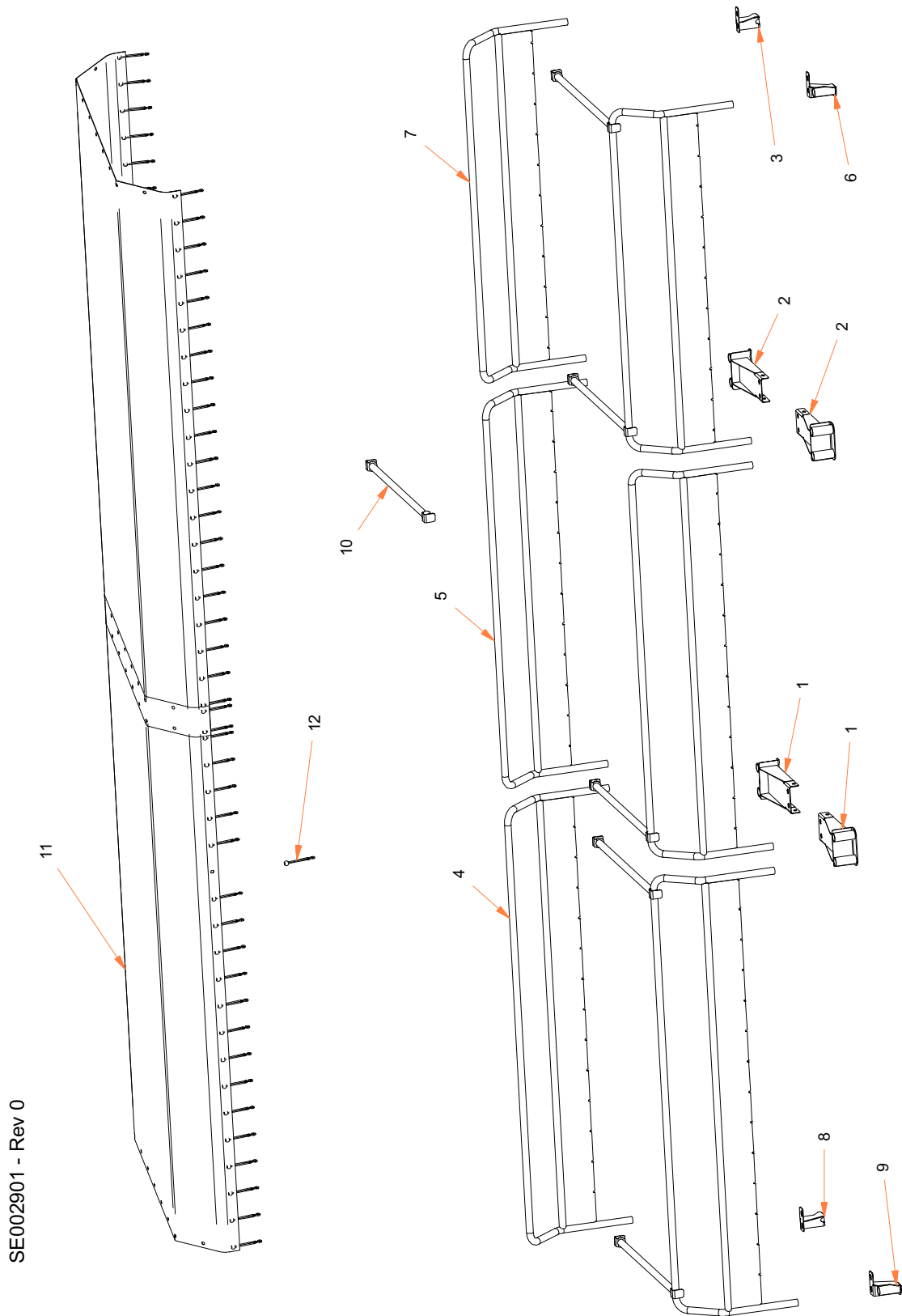


SC003702 - Rev 0

Item	Part No.	Rev	Description	Qty	Remarks
1	C16350000		Qe440 Feeder Bin Rear Top Hardox Liner	2	
2	C16360000		Qe440 Feeder Bin Rear Btm Hardox Liner	2	
3	C16370000		Qe440 Feeder Bin Side Top Hardox Liner	2	
4	C16390000		Qe440 Feeder Bin Side Front Hardox Liner	2	
5	C16380000		Qe440 Feeder Bin Side Middle Hardox Liner	2	
6	C16400000		Qe440 Feeder Bin Side Btm Hardox Liner	4	
7	C16410000		Qe440 Feeder Bin Side Btm Front Hardox Liner	2	
8	C16420000		Qe440 Feeder Bin Bolt On Nose Hardox Liner	2	

11.39 Fines conveyor cover - Option

SE002801 - REV 0

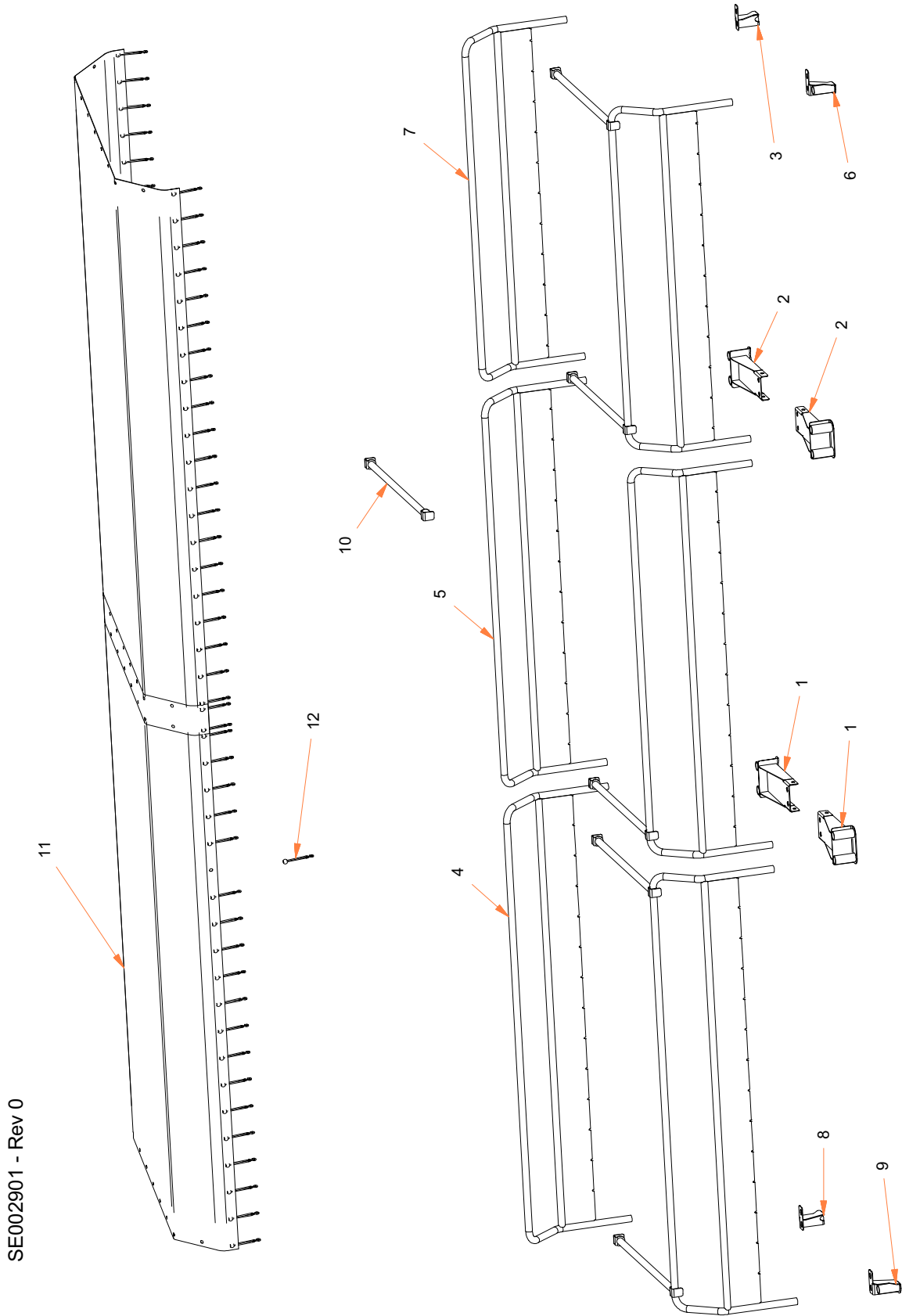


SE002901 - Rev 0

Item	Part No.	Rev	Description	Qty	Remarks
1	E8680000		Qe440 F/side Conv Dust Cover Support Cross Brace	6	
2	E8670000		Qe440 Side Conveyor Dust Cover Support	4	
3	E8870000		Qe440 Fines Side Conv Dust Cover Support Btm Location	1	
4	E8770000		Qe440 Side Conveyor Dust Cover Support Middle Location	2	
5	E8690000		Qe440 Side Conveyor Short Dust Cover Support	2	
6	E8760000		Qe440 Side Conveyor Dust Cover Support Upper Location	2	
7	E8780000		Qe440 Side Conveyor Dust Cover Support Head Location	1	
8	E8790000		Qe440 Conv Dust Cover Support Head Location Opp-hand	1	
9	E8880000		Qe440 F/side Conv Dust Cover Support Btm Location Opp-hand	1	
10	E8700000		Qe440 Fines Side Conveyor Tarpaulin Cover	2	
11	12-76-0100		Dust Cover Tie Down (4")	84	

11.40 Mid size conveyor cover - Option

SE002901 - REV 0

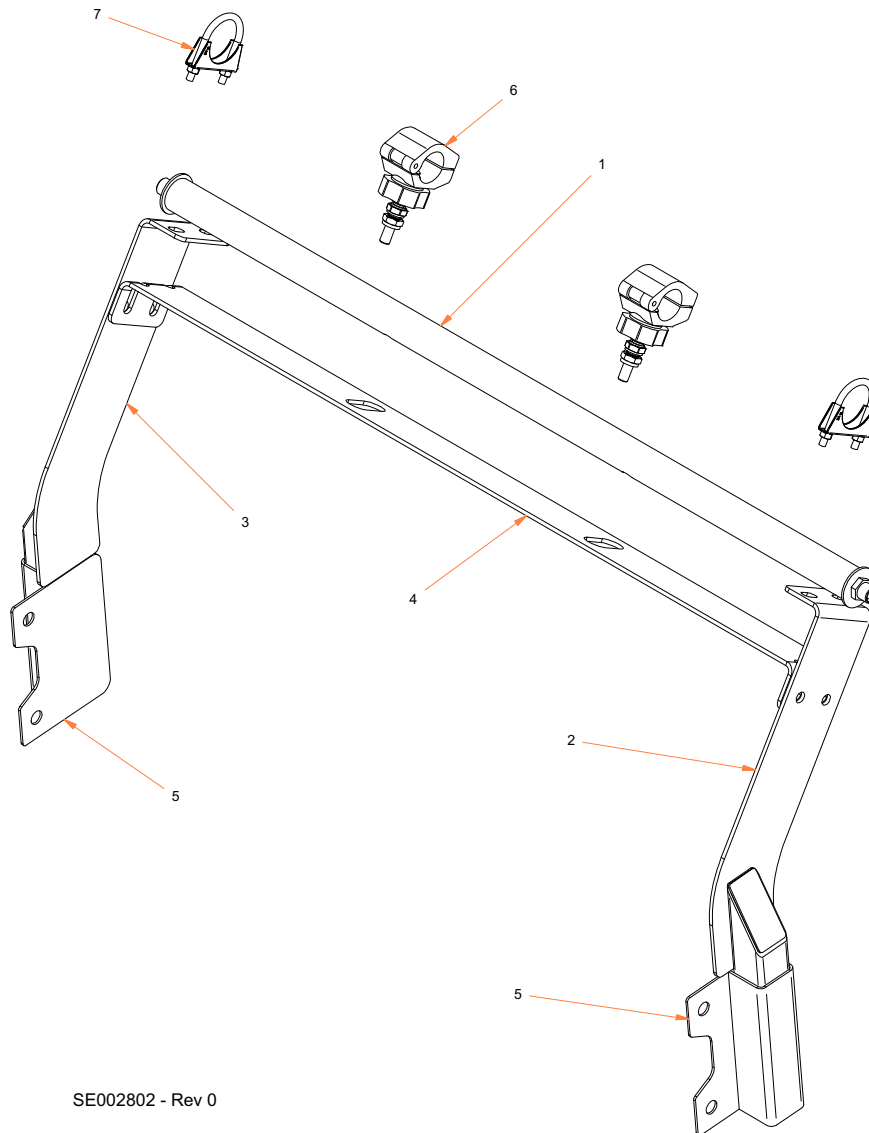


SE002901 - Rev 0

Item	Part No	Rev	Description	Qty	Remarks
1	E8770000		Qe440 Side Conveyor Dust Cover Support Middle Location	2	
2	E8760000		Qe440 Side Conveyor Dust Cover Support Upper Location	2	
3	E8780000		Qe440 Side Conveyor Dust Cover Support Head Location	1	
4	E8670000		Qe440 Side Conveyor Dust Cover Support	2	
5	E8800000		Qe440 Mid-grade Side Conveyor Middle Dust Cover Support	2	
6	E8790000		Qe440 Conv Dust Cover Support Head Location Opp-hand	1	
7	E8810000		Qe440 Mid-grade Side Conveyor Top Dust Cover Support	2	
8	E8820000		Qe440 M/g Side Conv Dust Cover Support Btm Location	1	
9	E8830000		Qe440 M/g Conveyor Dust Cover Support Btm Location Opp-hand	1	
10	E8890000		Qe440 M/g Side Conv Dust Cover Support Cross Brace	6	
11	E8840000		Qe440 Mid Grade Side Conveyor Tarpaulin Cover	2	
12	12-76-0100		Dust Cover Tie Down (4")	84	

11.41 Fines conveyor dust suppression spray - Option

SE002802 - REV 0

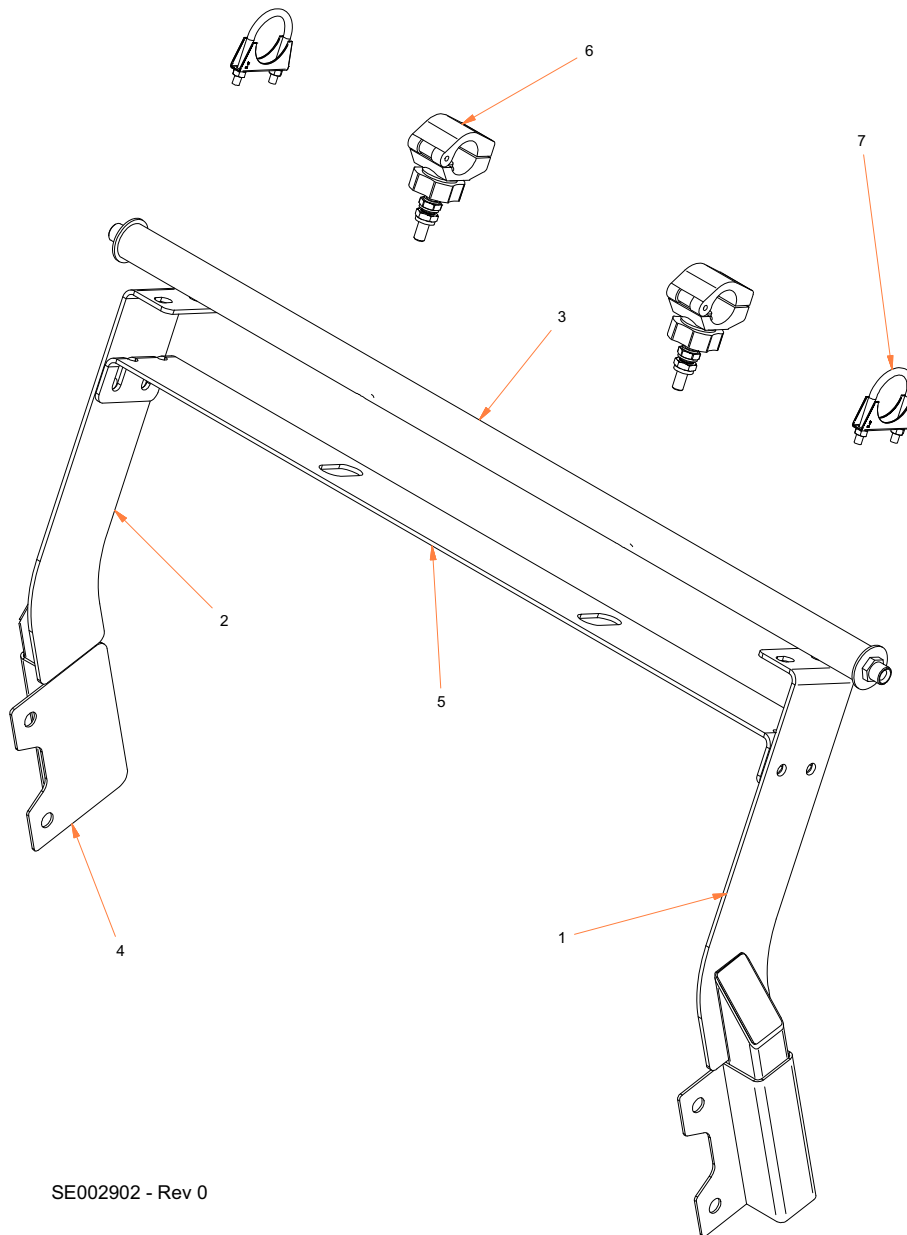


SE002802 - Rev 0

Item	Part No.	Rev	Description	Qty	Remarks
1	E8710000	A	1000mm Wide Conveyor Spray Bar Assembly	1	
2	E8720000		Qe440 Spray Bar Support	1	
3	E8730000		Qe440 Spray Bar Support Opp-hand	1	
4	E8740000		1000mm Wide Spray Bar Nozzle Protector	1	
5	E8750000		Qe440 Spray Bar Support Location	2	
6	HA99000022	A	Spray Nozzle, Complete Assembly	2	
7	EN9590		2 1/8" (54mm) Exhaust Clamp	2	

11.42 Mid size conveyor dust suppression spray - Option

SE002902 - REV 0



SE002902 - Rev 0

Item	Part No.	Rev	Description	Qty	Remarks
1	E8720000		Qe440 Spray Bar Support	1	
2	E8730000		Qe440 Spray Bar Support Opp-hand	1	
3	E8710000	A	1000mm Wide Conveyor Spray Bar Assembly	1	
4	E8750000		Qe440 Spray Bar Support Location	2	
5	E8850000		900mm Wide Spray Bar Nozzle Protector	1	
6	HA99000022	A	Spray Nozzle, Complete Assembly	2	
7	EN9590		2 1/8" (54mm) Exhaust Clamp	2	



-----	11-15
-----	11-16
-----	11-19
-----	11-25
-----	11-26
-----	11-49
-----	11-63
-----	11-64
-----	11-65
-----	11-67
-----	11-68
-----	11-69
-----	11-70
-----	11-71
-----	11-72
-----	11-77
-----	11-83
-----	11-84
Belt scraper - fines collector -----	11-52
Chassis Assembly -----	11-10
Chassis Assembly -----	11-11
Chassis Assembly -----	11-12
Chassis assembly -----	11-8
Chassis assembly -----	11-9
Chevron belt option -----	11-63
Contents -----	11-5
EL9709 -----	11-94
Electrical items -----	11-94
Exhaust system -----	11-90
Feeder assembly -----	11-22
Feeder extension - Option -----	11-98
Feeder hopper -----	11-28
Feeder unit -----	11-24
Fines collector -----	11-48
Fines conveyor -----	11-54
Fines conveyor cover - Option -----	11-102
Fines conveyor dust suppression spray - Option -----	11-106
Hopper liners - Option -----	11-100
Hydraulic tank assembly -----	11-88
Introduction -----	11-7
Lower section - oversize conveyor -----	11-80
Maintenance platform -----	11-18
Mesh adjuster set -----	11-38
Mid grade conveyor -----	11-66
Mid size conveyor cover - Option -----	11-104
Mid size conveyor dust suppression spray - Option -----	11-107
Oversize, end conveyor assembly -----	11-76
Power pack assembly -----	11-82
Roller set 30° -----	11-64
Roller set 40° -----	11-74
Roller set 45° -----	11-65
SA001501 - REV 0 -----	11-15
SA001502 - REV 0 -----	11-16
SA0017 REV 0 -----	11-92
SB0030 - REV A -----	11-88
SB0042 - REV A -----	11-82
SB0044 - REV A -----	11-90
SC0035 - REV C -----	11-24
SC0037 - REV D -----	11-23
SC003701 - REV B -----	11-98

SC003702 - REV 0	11-100
SC0038 - REV C	11-28
Screen box	11-32
Screen box assembly - options	11-30
Screen box bottom frame	11-36
Screen top mesh frame	11-40
SD0055 - REV E	11-48
SD0056 - REV 0	11-52
SE0028 - REV J	11-54
SE0028 - rev j	11-63
SE002801 - REV 0	11-102
SE002802 - REV 0	11-106
SE0029 REV F	11-66
SE002901 - REV 0	11-104
SE002902 - REV 0	11-107
SE0030 - REV 0	11-64
SE0031 - REV 0	11-65
SE0033 - REV 0	11-74
SF0026 - REV B	11-76
SF0027 - Rev b	11-80
SF0028 - REV A	11-78
SG0037 - REV 0	11-34
SG0038 - REV C	11-32
SG0039 - REV B	11-30
SG003901 - REV C	11-36
SG003901STORES - REV 0	11-38
SG003902 - REV 0	11-40
SG003903 - REV 0	11-42
SG003904 - REV 0	11-44
SG003905 - REV 0	11-46
SG0041 - REV D	11-18
Shaft - screen box	11-34
Step ladder - left hand	11-16
Step ladder - right hand	11-15
Tines top deck - 100mm	11-46
Tines top deck - 50mm	11-42
Tines top deck - 75mm	11-44
Tool box	11-92
TRACK COMPONENTS	11-96
Tracks	11-96
Upper section - oversize conveyor	11-78